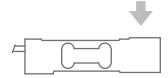
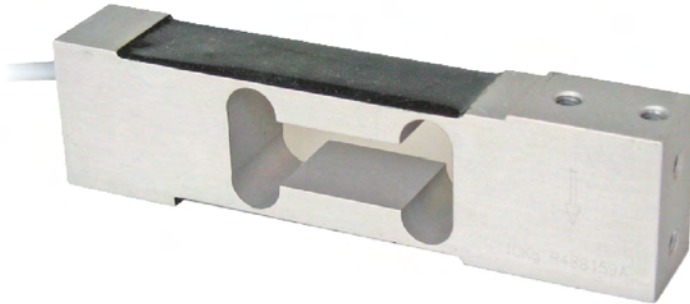


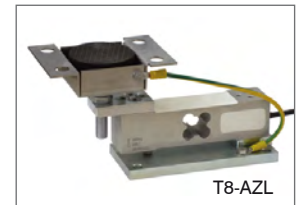
SINGLE-POINT LOAD CELL for platforms 400x400 mm



Capacity from 10 kg to 100 kg



MOUNTING KITS



- ALLOY ALUMINUM
- COMBINED ERROR $\leq \pm 0.02\%$ (0.017% C4)
- PROTECTION CLASS IP65

CAPACITY	kg	ACCURACY CLASS		OIML	IECEx	Ex	EAC	PLATFORM DIMENSION (mm)	NET WEIGHT OF LOAD CELL (kg)	CODE
		C3	C4							
10		C3	-		•	•		400 x 400	0.4	AZL10
15		C3	C4		•	•		400 x 400	0.4	AZL15
20		C3	C4		•	•		400 x 400	0.4	AZL20
30		C3	C4		•	•		400 x 400	0.4	AZL30
50		C3	C4		•	•		400 x 400	0.4	AZL50
100		C3	-		•	•		400 x 400	0.4	AZL100

ON REQUEST

CERTIFICATIONS

OIML R60 C3

CERTIFICATIONS ON REQUEST

ATEX II 1GD (zone 0-1-2-20-21-22)

IECEx II 1GD (zone 0-1-2-20-21-22)

OIML R60 C4 (see capacities table)

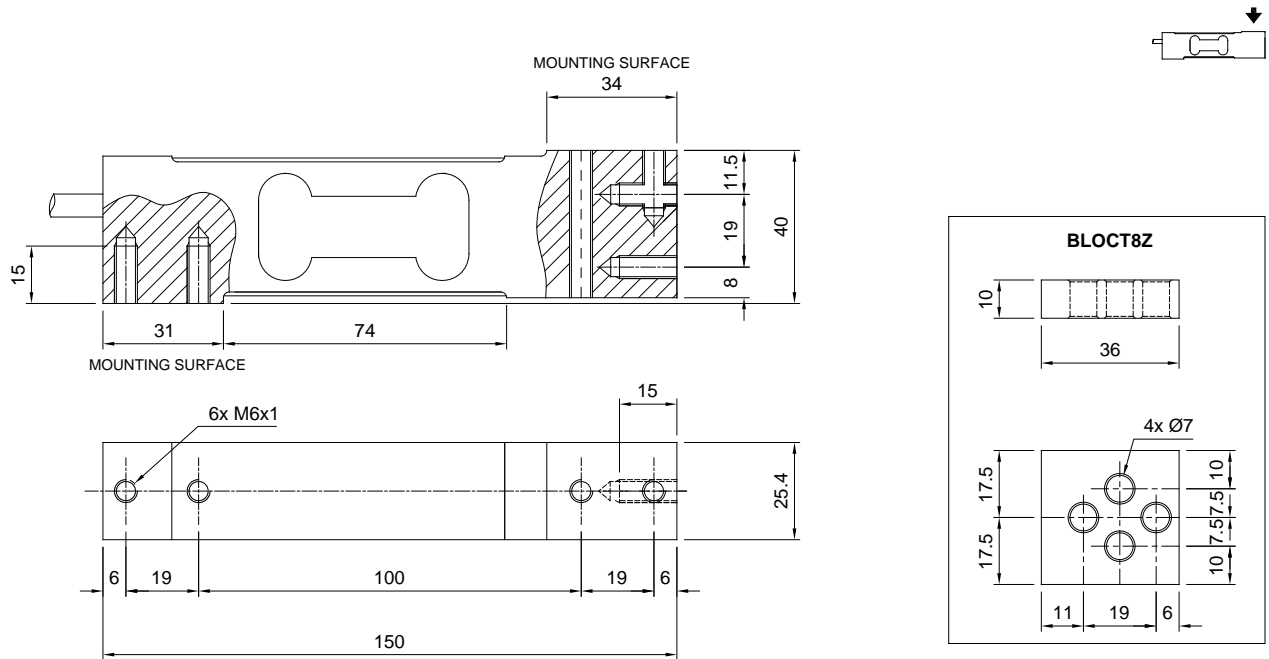
Complies with the Eurasian Custom Union regulations (Russia, Belarus, Kazakhstan)

COMPLEMENTARY ACCESSORIES

DESCRIPTION	CODE
 Galvanized steel drawn block.	BLOCT8Z

SINGLE-POINT LOAD CELL for platforms 400x400 mm

DIMENSIONS (mm)



TECHNICAL FEATURES

Material	Alloy aluminum		
OIML R60 Accuracy class • Verification intervals	C3 • 3000	C4 • 4000	
Nominal load (E max)	10 - 15 - 20 - 30 - 50 - 100	15 - 20 - 30 - 50	
Minimum verification interval (V min)	E max / 12000	E max / 20000	
Combined error	≤ ±0.02%	≤ ±0.017%	
Protection class	IP65		
Rated output	2 mV/V ±10%	Input resistance	409 Ω ±6
Temperature effect on zero	0.0017% °C	Output resistance	350 Ω ±3
Temperature effect on span	0.0014% °C	Zero balance	< ±1%
Compensated temperature range	-10 °C / +40 °C	Insulation resistance	≥5000 MΩ
Operating temperature range	-35 °C / +65 °C	Safe overload (% of full scale)	150%
Creep at nominal load in 30 minutes	0.02%	Ultimate overload (% of full scale)	300%
Max supply voltage without damage	18 V	Deflection at nominal load	0.5 mm

ELECTRICAL CONNECTIONS

Cable length	6 m
Cable diameter	5 mm
Cores	6 x 0.20 mm ²

