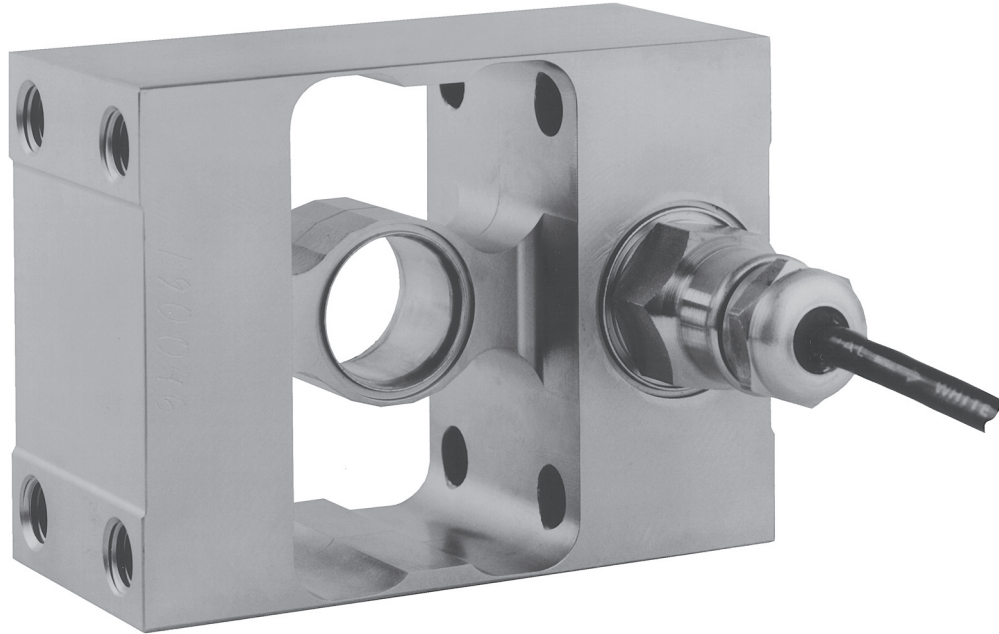


## Type PC2 Load Cell



### Product Description

The type PC2 is a stainless steel single point load cell with complete hermetic sealing. It is a perfect fit for use in harsh industrial environments.

### Application

- Conveyor scales, hopper and tank weighing systems

### Key Features

- Capacities of 20 kg and 150 kg
- Stainless steel construction
- Environmental Protection IP68 with complete hermetic sealing
- Suitable for wall mounting
- Maximum platform size up to 1 000 x 1 000 mm
- High input resistance

### Approvals

- OIML approval, in preparation
- ATEX hazardous area approval for Zone 0, 1, 2, 20, 21 and 22
- FM hazardous area approval

### Packed Weight

- |                 |     |     |
|-----------------|-----|-----|
| ■ Capacity (kg) | 20  | 150 |
| Weight (kg)     | 1.8 | 2.0 |

### Available Accessories

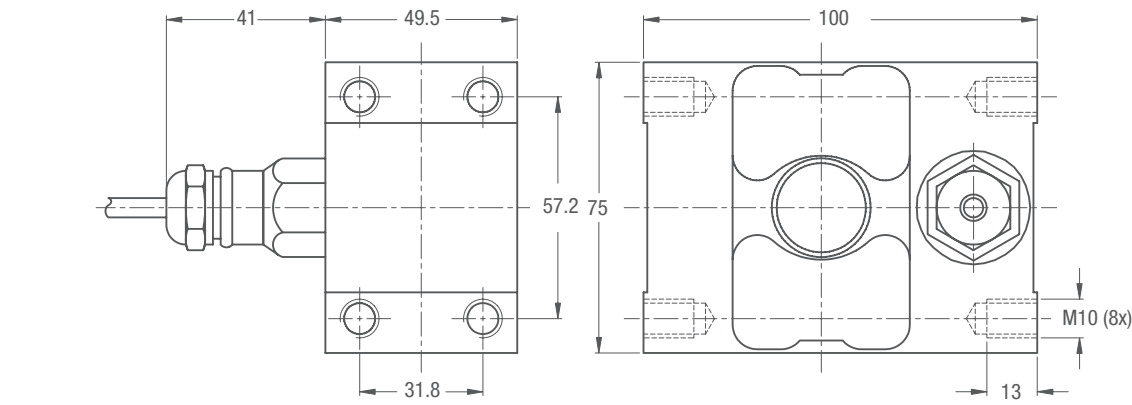
- Compatible range of electronics

**PC2 Specifications**

Maximum capacity	(E <sub>max</sub> )	kg	20 / 150	
Accuracy class according to OIML R60			(GP)	C3
Maximum number of verification intervals	(n <sub>LC</sub> )		n.a.	3 000
Minimum load cell verification interval	(v <sub>min</sub> )		n.a.	E <sub>max</sub> /10 000
Temperature effect on minimum dead load output	(TC <sub>0</sub> )	%*R <sub>0</sub> /10°C	≤ ± 0.0400	≤ ± 0.0140
Temperature effect on sensitivity	(TC <sub>R0</sub> )	%*R <sub>0</sub> /10°C	≤ ± 0.0200	≤ ± 0.0100
Combined error		%*R <sub>0</sub>	≤ ± 0.0500	≤ ± 0.0200
Non-linearity		%*R <sub>0</sub>	≤ ± 0.0400	≤ ± 0.0166
Hysteresis		%*R <sub>0</sub>	≤ ± 0.0400	≤ ± 0.0166
Creep error (30 minutes)		%*R <sub>0</sub>	≤ ± 0.0600	≤ ± 0.0166
Rated Output	(R <sub>0</sub> )	mV/V	2 ± 5%	
Zero balance		%*R <sub>0</sub>	≤ ± 5	
Excitation voltage		V	5...15	
Input resistance (100 V DC)	(R <sub>LC</sub> )	Ω	1 100 ± 50	
Output resistance	(R <sub>out</sub> )	Ω	960 ± 50	
Insulation resistance		MΩ	≥ 5 000	
Safe load limit	(E <sub>lim</sub> )	%*E <sub>max</sub>	200	
Ultimate load		%*E <sub>max</sub>	300	
Safe side load		%*E <sub>max</sub>	100	
Maximum platform size; loading acc. to OIML R76		mm	600 x 600 for 20 kg / 1 000 x 1 000 for 150 kg	
Maximum off centre distance at maximum capacity		mm	250 for 20 kg / 400 for 150 kg	
Compensated temperature range		°C	-10...+40	
Operating temperature range		°C	-40...+80 (ATEX -40...+60)	
Load cell material			stainless steel 17-4 PH (1.4548)	
Sealing			complete hermetic sealing; cable entry sealed by a glass to metal header	
Protection according DIN 40.050			IP68	

The limits for Non-Linearity, Hysteresis, and TC<sub>R0</sub> are typical values.  
 The sum of Non-linearity, Hysteresis and TC<sub>R0</sub> meets the requirements according to OIML R60 with p<sub>LC</sub>=0.7.

**Dimensions (in mm)**



Mounting bolts M10 8.8; torque 50 Nm. Torque value assumes oiled threads.

**Wiring**

- The load cell is provided with a shielded, 4 conductor cable (AWG 24). Cable jacket polyurethane
- Cable length: 3 m
- Cable diameter: 5 mm
- The shield is floating

On request the shield can be connected to the load cell body.

