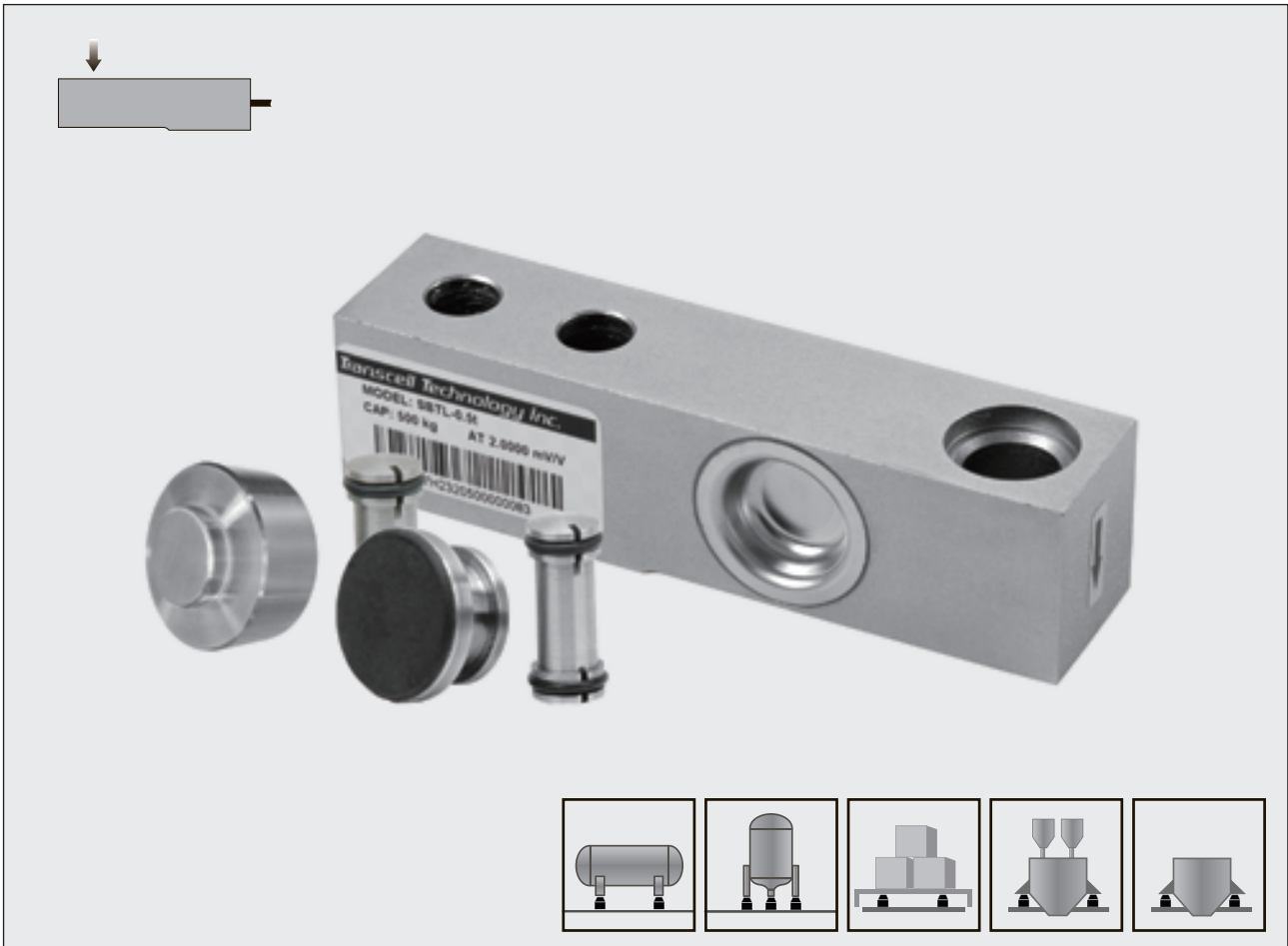


Type SBTL/SBTL-ESH Load Cell

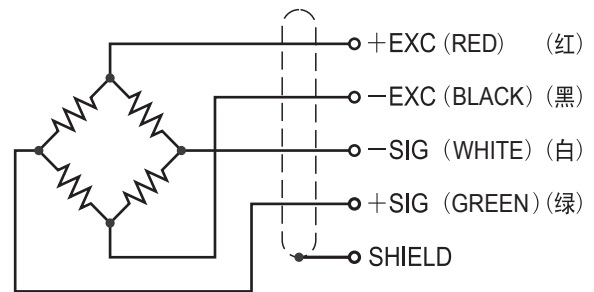


Features 主要特点

- Single ended shear beam load cell
- Senior alloy steel / stainless steel (option)
- High accuracy
- High stability
- Unique "blind" loading hole
- Easy to install
- Protected against corrosion by nickel-plated treatment
- Suitable for floor scales, blending & mixing systems and batching systems, etc.
- 悬臂梁式
- 优质合金钢材质/不锈钢材质 (可选)
- 高精度
- 高稳定性
- 独特的承载盲孔设计
- 安装简便、快速
- 表层镀镍防腐处理
- 适用于平台秤、搅拌站和配料秤等

Schematic 接线方式

- | | | | |
|---------|----------|------|------|
| Red : | + input | 红色 : | + 激励 |
| Black : | - input | 黑色 : | - 激励 |
| Green : | + output | 绿色 : | + 信号 |
| White : | - output | 白色 : | - 信号 |



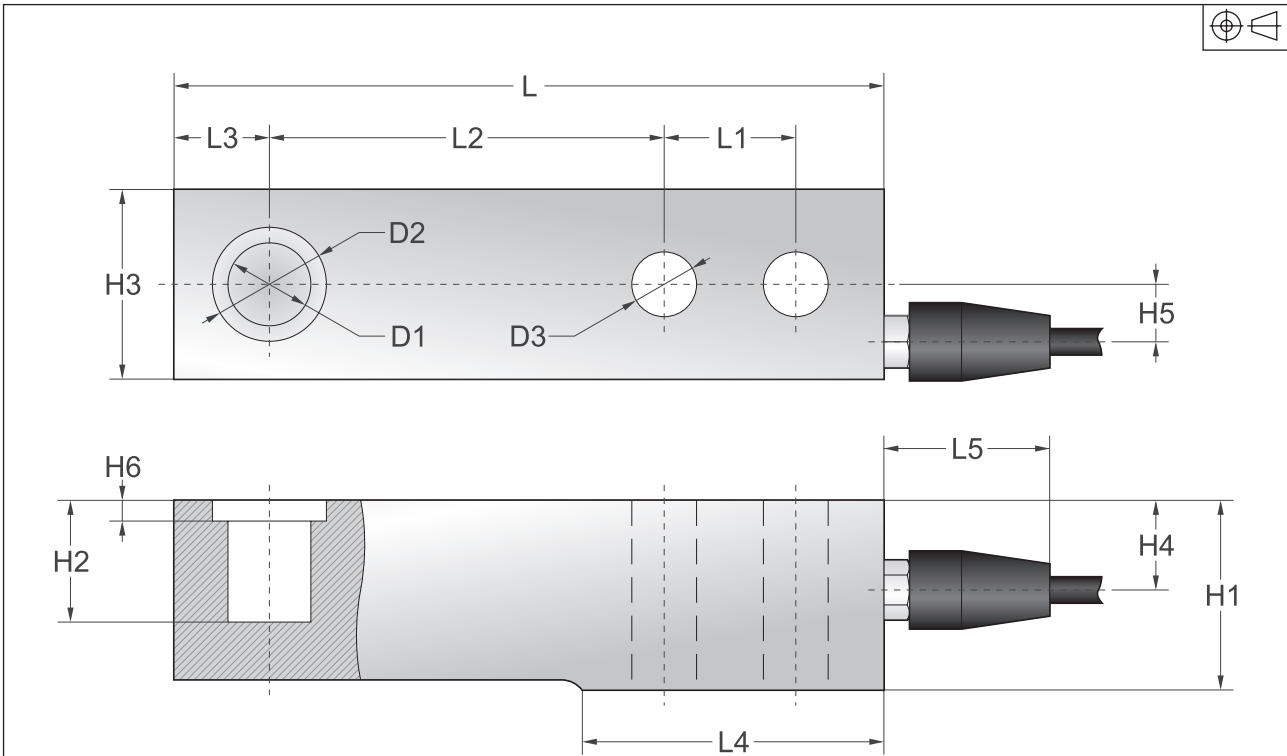
Capacities 量程

500kg, 1000kg, 2000kg

Single Ended Shear Beam Series

Single Ended Shear Beam

Dimensions 尺寸



Capacity/量程		L	L1	L2	L3	L4	L5	H1	H2	H3	H4	H5	H6	D1	D2	D3
0.5t	mm	133.4	25.4	76.2	15.4	57.7	32	35	22	30.2	16.8	9.1	4	Ø16	Ø22	2×Ø12.3
1t~2t	mm	137	25.4	76.2	18.4	58.2	32	36.6	23.5	36.6	17.3	11.1	4	Ø16	Ø22	2×Ø12.3

Specification 技术参数

Rated Output	额定输出	2.0mV/V ±0.1% (SBTL) / 1.8mV/V ±0.1% (SBTL-ESH)
Zero Balance	零点平衡	±1% of rated output
Creep after 30 minutes	蠕变	±0.03% of rated output
Nonlinearity	非线性	±0.03% of rated output
Hysteresis	滞后	±0.03% of rated output
Repeatability	重复性	±0.03% of rated output
Temp. effect on output	灵敏度温漂	≤0.002% of applied output/°C
Temp. effect on zero	零点温漂	≤0.002% of rated output/°C
Safe Temp. Range	可用温度范围	-10°C to + 70°C
Temp. Compensated	温度补偿范围	-10°C to + 40°C
Safe Overload	安全载荷	150%
Input Impedance	输入阻抗	387 ohm ± 20 ohm
Output Impedance	输出阻抗	350 ohm ± 5 ohm
Insulation Resistance	绝缘阻抗	≥5000 M ohm (50V DC)
Rated Excitation	推荐激励电压	10V DC/AC
Maximum Excitation	最大激励电压	15V DC/AC
Cable Length	导线长度	6m
Cable Color Code	导线颜色	Red(+ E) Black(- E) Green(+ S) White(- S)