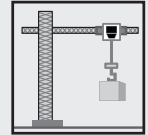
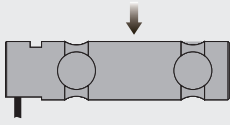


Type DBST Load Cell

5t/10t



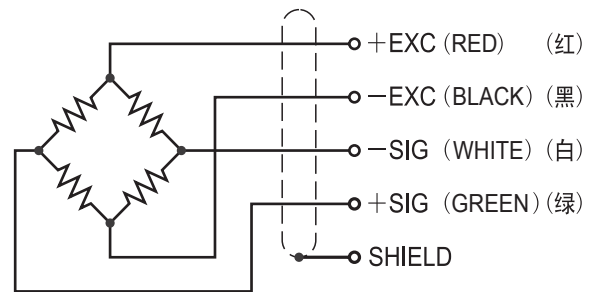
Double Ended Shear Beam

Features 主要特点

- Double ended shear beam load cell
- Senior alloy steel
- High accuracy
- High stability
- High protection class
- Easy to install
- Use in tough industrial environment
- Suitable for every kinds of safe limiter
- 双剪切梁式
- 优质合金钢材质
- 高精度
- 高稳定性
- 高保护等级
- 安装简便、快速
- 可用于恶劣的工业环境
- 适用于各种过载保护装置

Schematic 接线方式

- | | | | |
|---------|----------|------|------|
| Red : | + input | 红色 : | + 激励 |
| Black : | - input | 黑色 : | - 激励 |
| Green : | + output | 绿色 : | + 信号 |
| White : | - output | 白色 : | - 信号 |

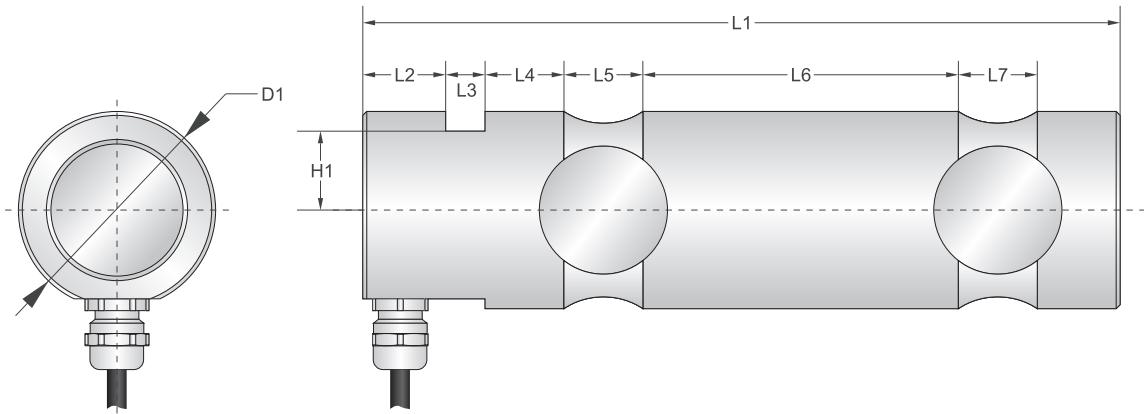


Capacities 量程

5t, 10t

Double Ended Shear Beam Series

Dimensions 尺寸



Capacity/量程		L1	L2	L3	L4	L5	L6	L7	H1	D1
5t/10t	mm	192	21	10	20	20	80	20	20	Ø50

Double Ended Shear Beam

Specification 技术参数

Rated Output	额定输出	1.0mV/V ±1%
Zero Balance	零点平衡	±1% of rated output
Creep after 30 minutes	蠕变	±0.2% of rated output
Nonlinearity	非线性	±0.5% of rated output
Hysteresis	滞后	±0.5% of rated output
Repeatability	重复性	±0.5% of rated output
Temp. effect on output	灵敏度温漂	≤0.02% of applied output/°C
Temp. effect on zero	零点温漂	≤0.02% of rated output/°C
Safe Temp. Range	可用温度范围	-10°C to + 70°C
Temp. Compensated	温度补偿范围	-10°C to + 40°C
Safe Overload	安全载荷	150%
Ultimate Overload	极限载荷	200%
Input Impedance	输入阻抗	775 ohm ± 20 ohm
Output Impedance	输出阻抗	700 ohm ± 5 ohm
Insulation Resistance	绝缘阻抗	≥5000 M ohm (50V DC)
Rated Excitation	推荐激励电压	10V DC/AC
Maximum Excitation	最大激励电压	15V DC/AC
Cable Length	导线长度	6m
Cable Color Code	导线颜色	Red(+ E) Black(- E) Green(+ S) White(- S)