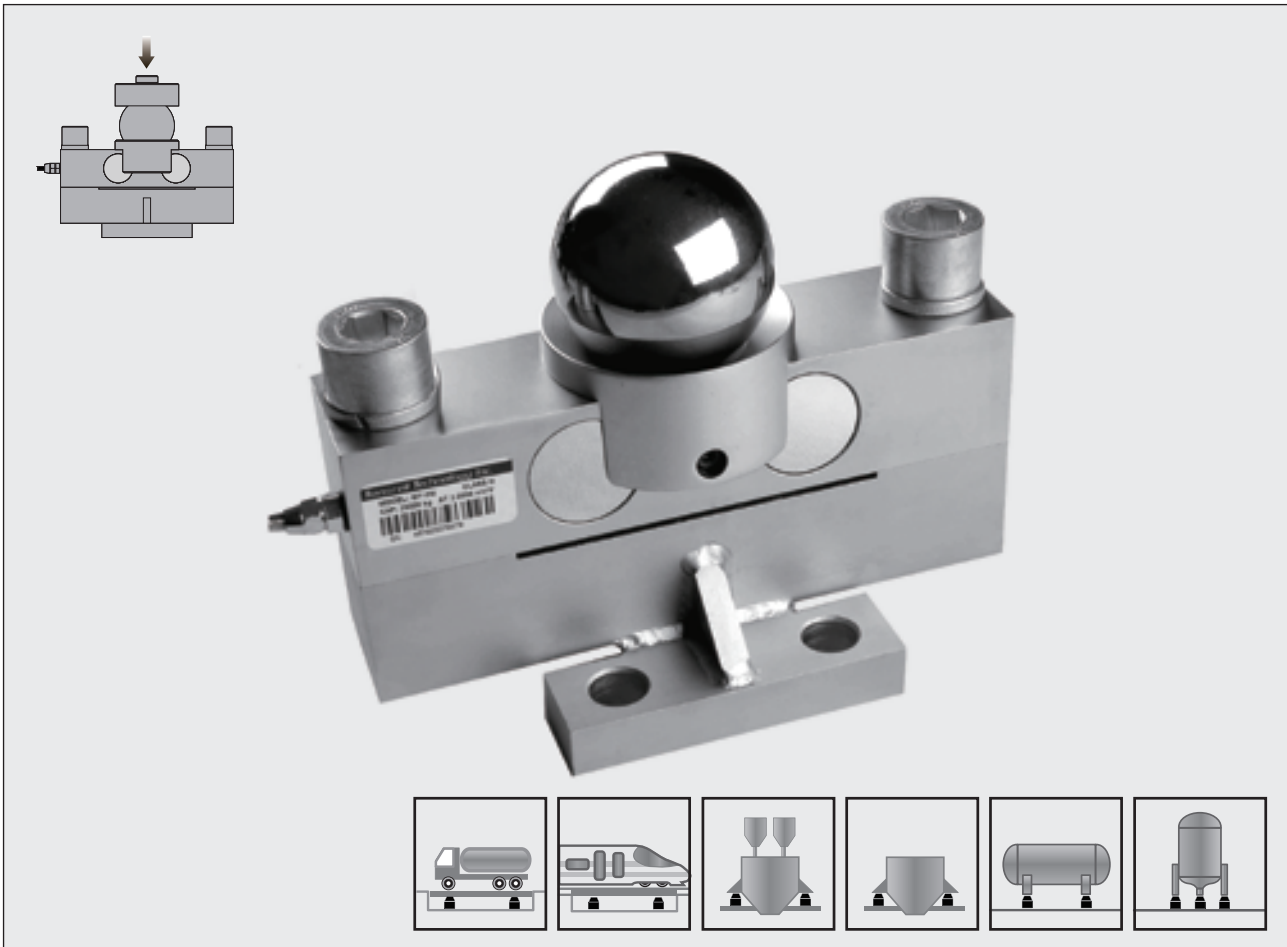


# Type DBSQD Load Cell



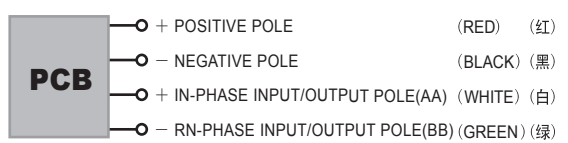
Double Ended Shear Beam

## Features 主要特点

- Double ended shear beam load cell
- Senior alloy steel
- High accuracy
- High stability
- CMC, Approved
- Easy to install
- Protected against corrosion by nickel-plated treatment
- Suitable for truck scales, rail scales, bin and hopper scales, etc.
- 双剪切梁式
- 优质合金钢材质
- 高精度
- 高稳定性
- 通过CMC认证
- 安装简便、快速
- 表层镀镍防腐处理
- 适用于汽车衡、轨道衡和料斗秤等

## Schematic 接线方式

- Red : + positive pole
- Black : - negative pole
- White : + in-phase input/output pole(AA)
- Green : - re-phase input/output pole(BB)
- 红色 : + 电源正极
- 黑色 : - 电源负极
- 白色 : + 同相输入输出端(AA)
- 绿色 : - 反相输入输出端(BB)

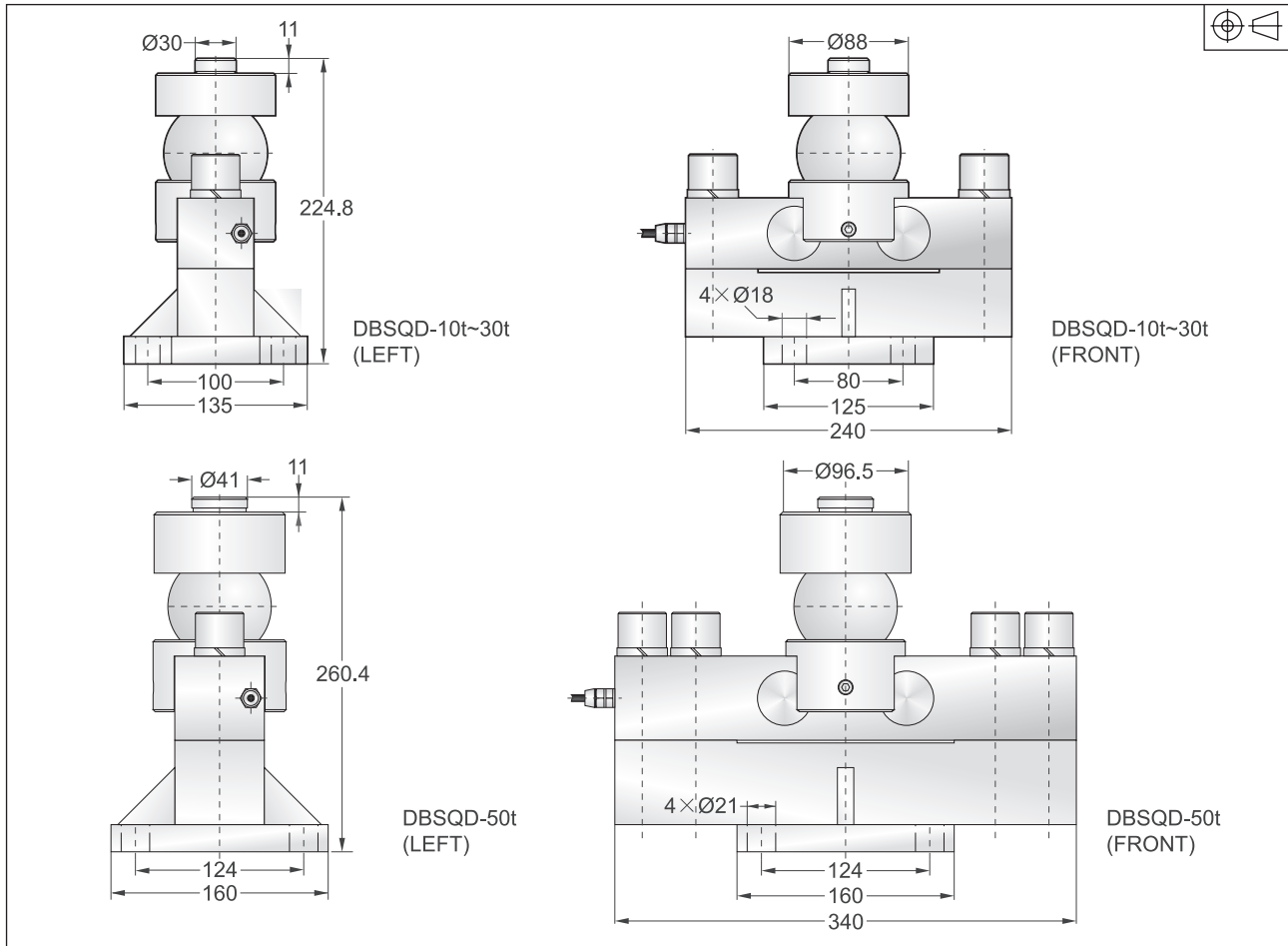


## Capacities 量程

10t, 20t, 30t, 50t

Double Ended Shear Beam Series

**Dimensions** 尺寸



Double Ended Shear Beam

**Specification** 技术参数

Rated Output	额定输出	300000 counts
Creep after 30 minutes	蠕变	±0.02% of rated output
Nonlinearity	非线性	±0.03% of rated output
Hysteresis	滞后	±0.03% of rated output
Repeatability	重复性	±0.03% of rated output
Temp. effect on output	灵敏度温漂	≤0.002% of applied output/°C
Temp. effect on zero	零点温漂	≤0.002% of rated output/°C
Safe Temp. Range	可用温度范围	-10°C to + 70°C
Temp. Compensated	温度补偿范围	-10°C to + 40°C
Safe Overload	安全载荷	150%
Rated Supplied Voltage	推荐供电电压	8V DC
Max Supplied Voltage	最大供电电压	8V DC
Input Current	输入电流	40 mA
Communication Mode	通讯方式	RS 485
Baud Rate	波特率	19200 bps
Max Output Distance	最大传输距离	1000 m
Cable Length	导线长度	13m/15m