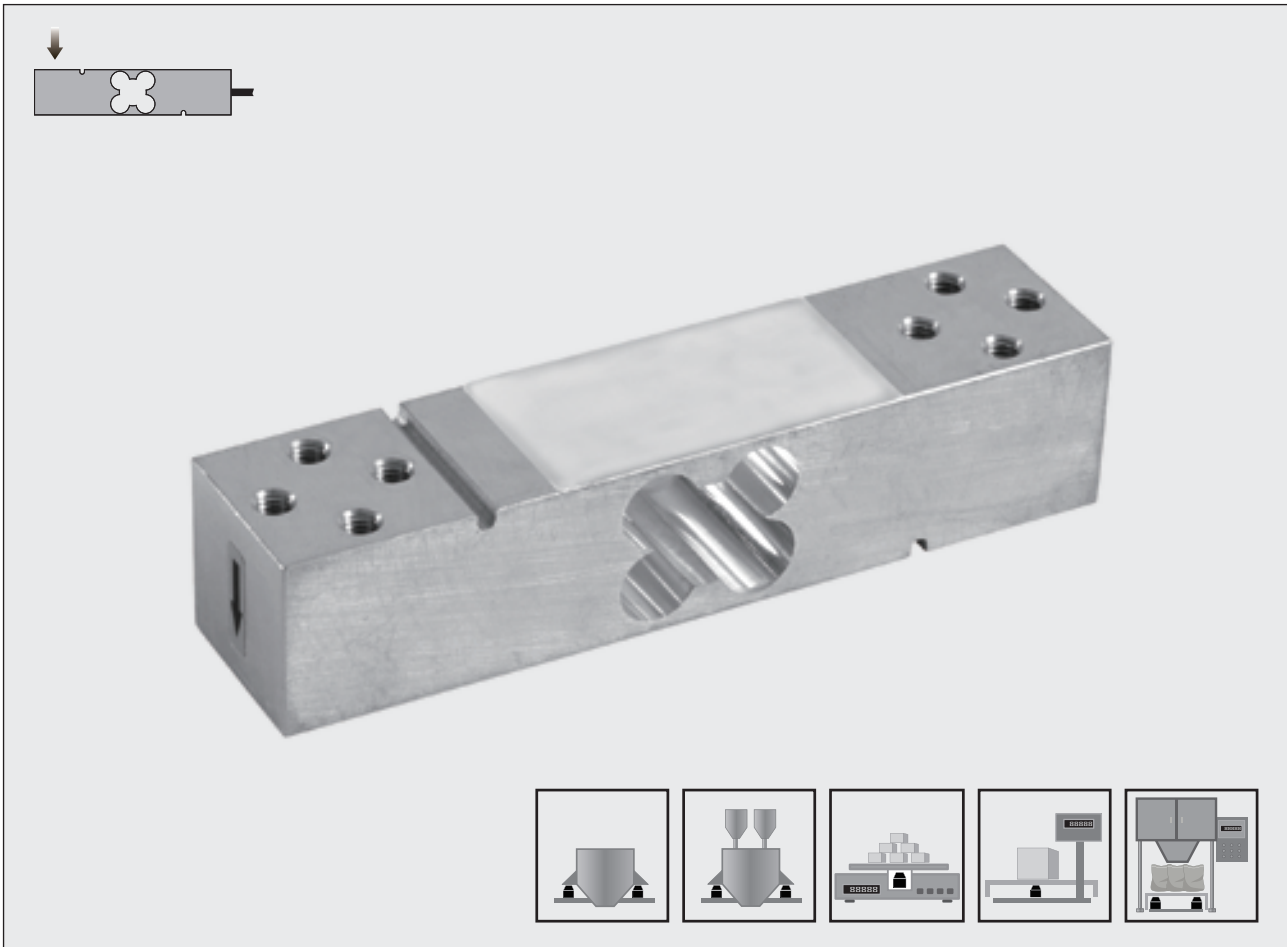


Type FATS Load Cell

Single Point

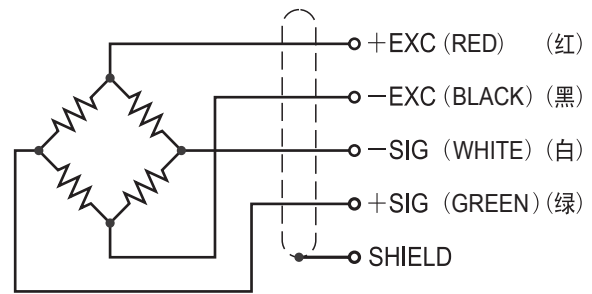


Features 主要特点

- Single point load cell
- Senior aluminum
- High accuracy
- High stability
- Easy to install
- Suitable for retail and postal weighing, package weighing systems, parts counting and small hopper scales, bench scales, etc.
- 单点式
- 优质铝合金材质
- 高精度
- 高稳定性
- 安装简便、快速
- 适用于邮资秤、包装秤、小型料斗秤、台秤等

Schematic 接线方式

- | | | | |
|---------|----------|------|------|
| Red : | + input | 红色 : | + 激励 |
| Black : | - input | 黑色 : | - 激励 |
| Green : | + output | 绿色 : | + 信号 |
| White : | - output | 白色 : | - 信号 |

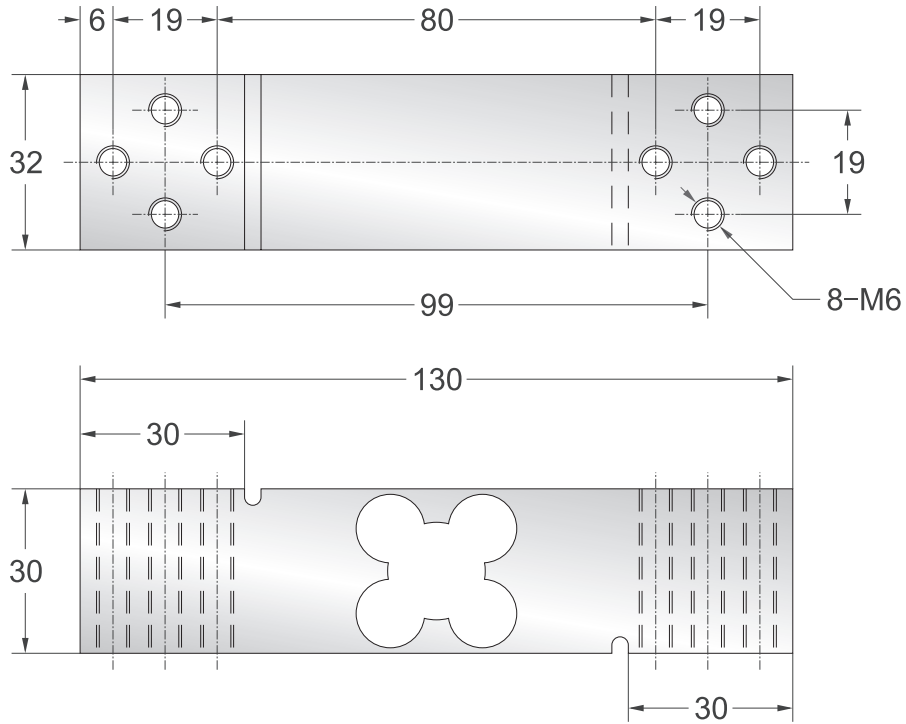


Capacities 量程

- 5kg, 7.5kg, 10kg, 15kg, 20kg, 25kg, 30kg, 45kg, 60kg, 100kg

Dimensions 尺寸

Maximum platform (最大支撑台面): 350×350mm



| | |
|-------------|----|
| Capacity/量程 | |
| 5kg ~ 100kg | mm |

Specification 技术参数

| | | |
|------------------------|--------|---|
| Rated Output | 额定输出 | 2.0mV/V ±10% |
| Zero Balance | 零点平衡 | ±3% of rated output |
| Creep after 30 minutes | 蠕变 | ±0.02% of rated output |
| Nonlinearity | 非线性 | ±0.02% of rated output |
| Hysteresis | 滞后 | ±0.02% of rated output |
| Repeatability | 重复性 | ±0.02% of rated output |
| Temp. effect on output | 灵敏度温漂 | ≤0.002% of applied output/°C |
| Temp. effect on zero | 零点温漂 | ≤0.002% of rated output/°C |
| Safe Temp. Range | 可用温度范围 | -10°C to + 70°C |
| Temp. Compensated | 温度补偿范围 | -10°C to + 40°C |
| Safe Overload | 安全载荷 | 150% |
| Input Impedance | 输入阻抗 | 410 ohm ± 20 ohm |
| Output Impedance | 输出阻抗 | 350 ohm ± 5 ohm |
| Insulation Resistance | 绝缘阻抗 | ≥5000 M ohm (50V DC) |
| Rated Excitation | 推荐激励电压 | 10V DC/AC |
| Maximum Excitation | 最大激励电压 | 15V DC/AC |
| Cable Length | 导线长度 | 35cm |
| Cable Color Code | 导线颜色 | Red(+ E) Black(- E) Green(+ S) White(- S) |