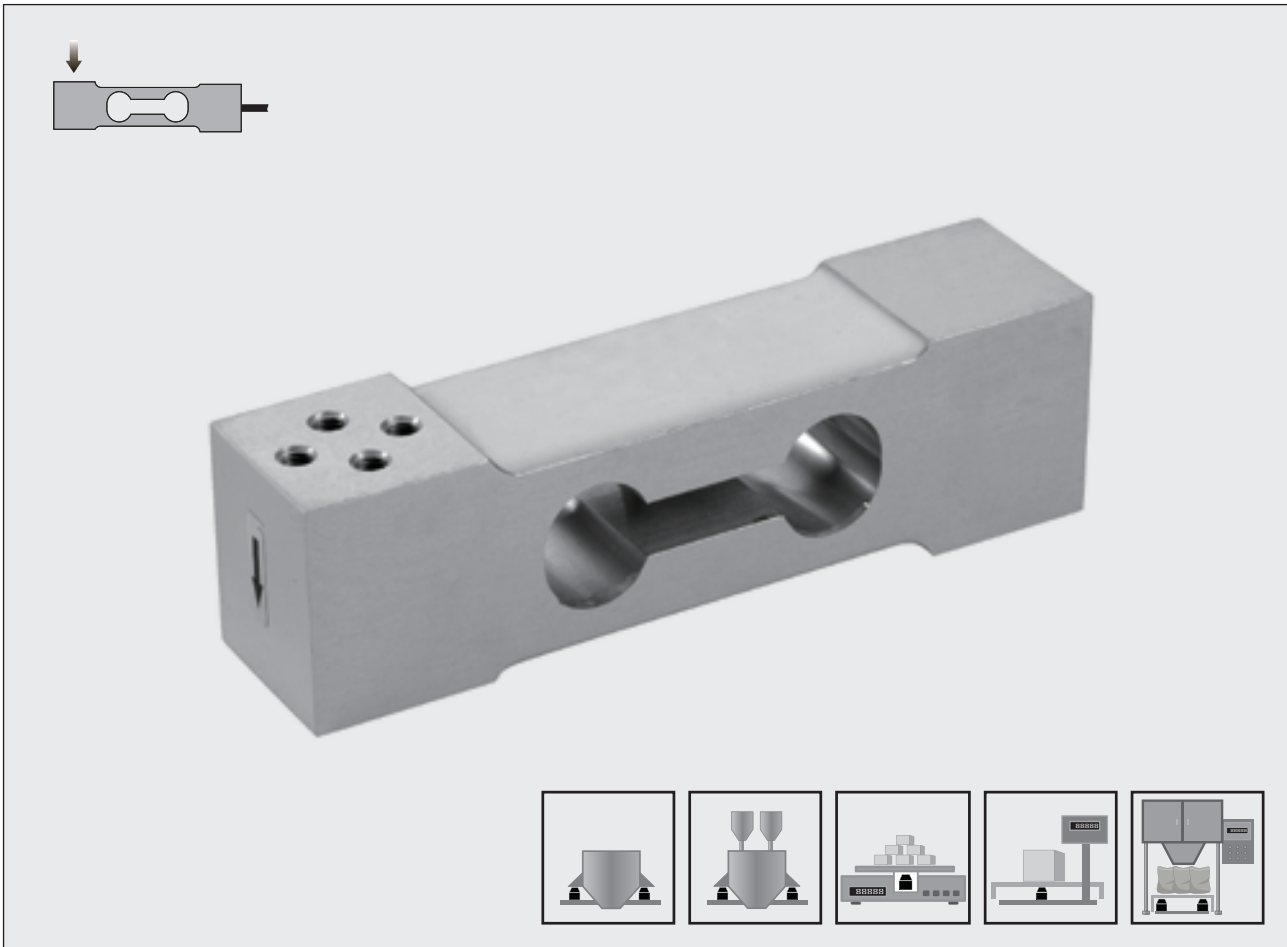


# Type FAS A4 Load Cell

Single Point

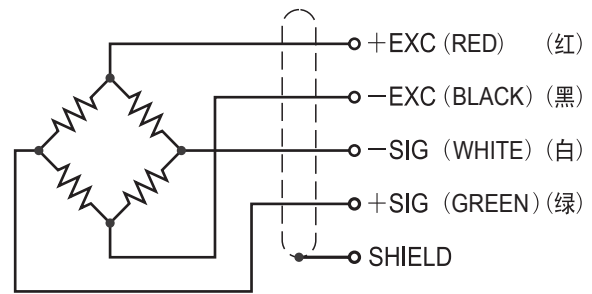


## Features 主要特点

- Single point load cell
- Senior aluminum
- High accuracy
- High stability
- Easy to install
- Suitable for retail and postal weighing, package weighing systems, parts counting and small hopper scales, bench scales, etc.
- 单点式
- 优质铝合金材质
- 高精度
- 高稳定性
- 安装简便、快速
- 适用于邮资秤、包装秤、小型料斗秤、台秤等

## Schematic 接线方式

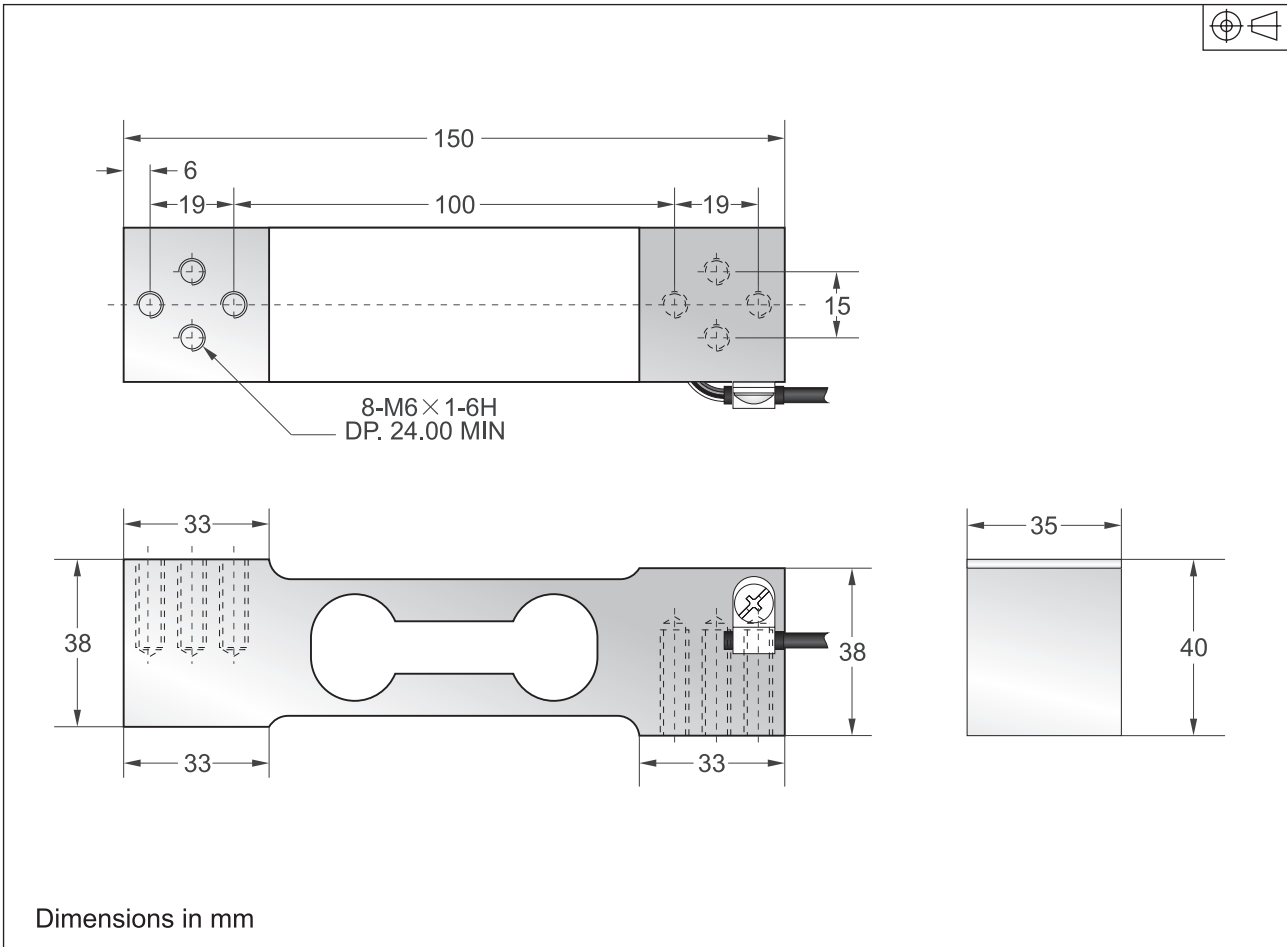
- |         |          |      |      |
|---------|----------|------|------|
| Red :   | + input  | 红色 : | + 激励 |
| Black : | - input  | 黑色 : | - 激励 |
| Green : | + output | 绿色 : | + 信号 |
| White : | - output | 白色 : | - 信号 |



## Capacities 量程

100kg, 150kg, 200kg, 250kg, 300kg

**Dimensions** 尺寸



Single Point

**Specification** 技术参数

Rated Output	额定输出	2.0mV/V ±10%
Zero Balance	零点平衡	±3% of rated output
Creep after 30 minutes	蠕变	±0.03% of rated output
Nonlinearity	非线性	±0.03% of rated output
Hysteresis	滞后	±0.03% of rated output
Repeatability	重复性	±0.03% of rated output
Temp. effect on output	灵敏度温漂	≤0.002% of applied output/°C
Temp. effect on zero	零点温漂	≤0.002% of rated output/°C
Safe Temp. Range	可用温度范围	-10°C to + 70°C
Temp. Compensated	温度补偿范围	-10°C to + 40°C
Safe Overload	安全载荷	150%
Input Impedance	输入阻抗	410 ohm ± 20 ohm
Output Impedance	输出阻抗	350 ohm ± 5 ohm
Insulation Resistance	绝缘阻抗	≥5000 M ohm (50V DC)
Rated Excitation	推荐激励电压	10V DC/AC
Maximum Excitation	最大激励电压	15V DC/AC
Cable Length	导线长度	2.75m
Cable Color Code	导线颜色	Red(+ E) Black(- E) Green(+ S) White(- S)