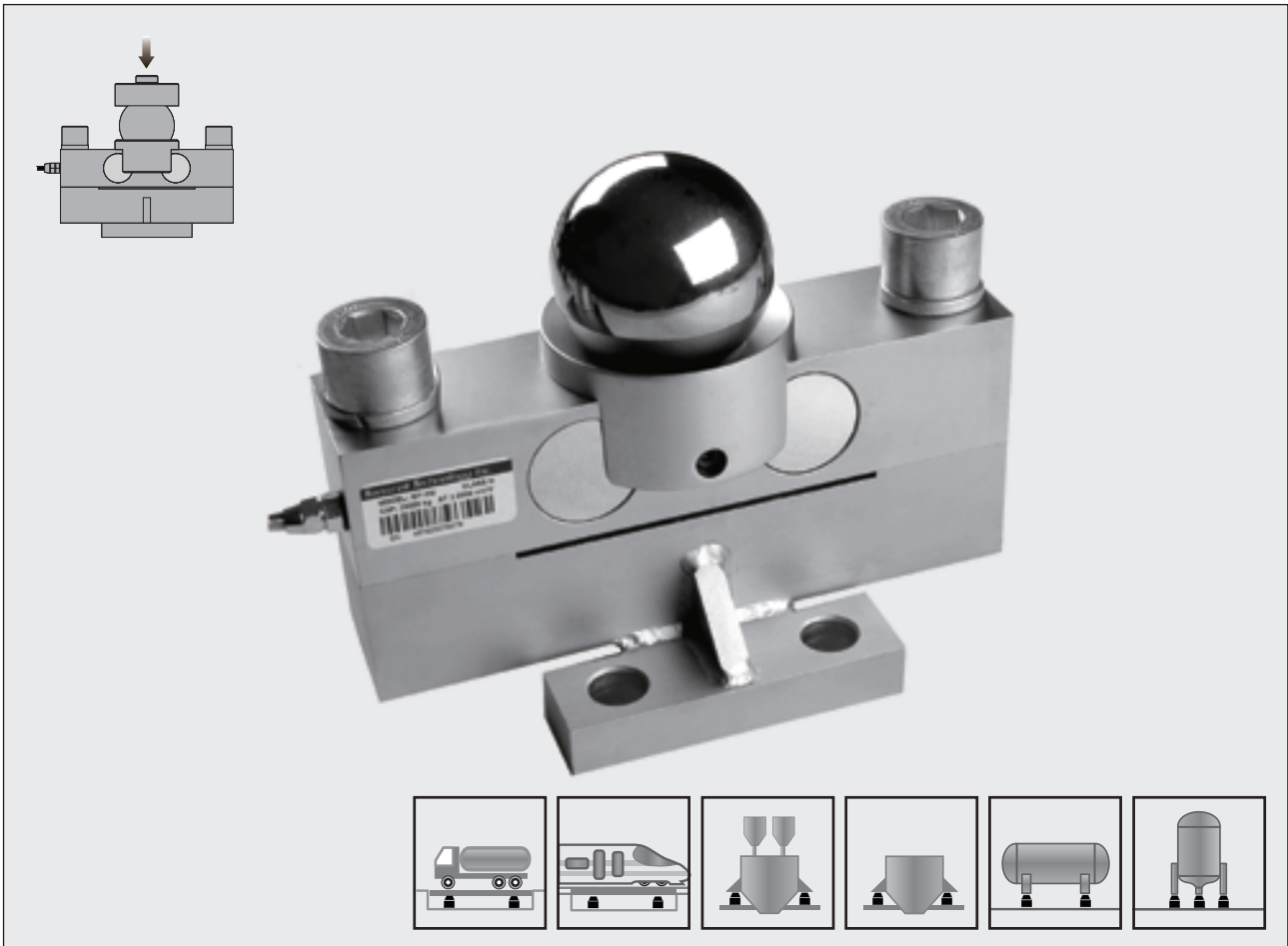


Type DBSQ Load Cell



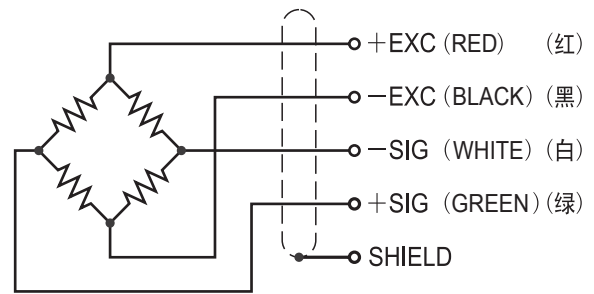
Double Ended Shear Beam

Features 主要特点

- Double ended shear beam load cell
- Senior alloy steel
- High accuracy
- High stability
- CMC, Approved
- Easy to install
- Protected against corrosion by nickel-plated treatment
- Suitable for truck scales, rail scales, bin and hopper scales, etc.
- 双剪切梁式
- 优质合金钢材质
- 高精度
- 高稳定性
- 通过CMC认证
- 安装简便、快速
- 表层镀镍防腐处理
- 适用于汽车衡、轨道衡和料斗秤等

Schematic 接线方式

- | | | | |
|---------|----------|------|------|
| Red : | + input | 红色 : | + 激励 |
| Black : | - input | 黑色 : | - 激励 |
| Green : | + output | 绿色 : | + 信号 |
| White : | - output | 白色 : | - 信号 |

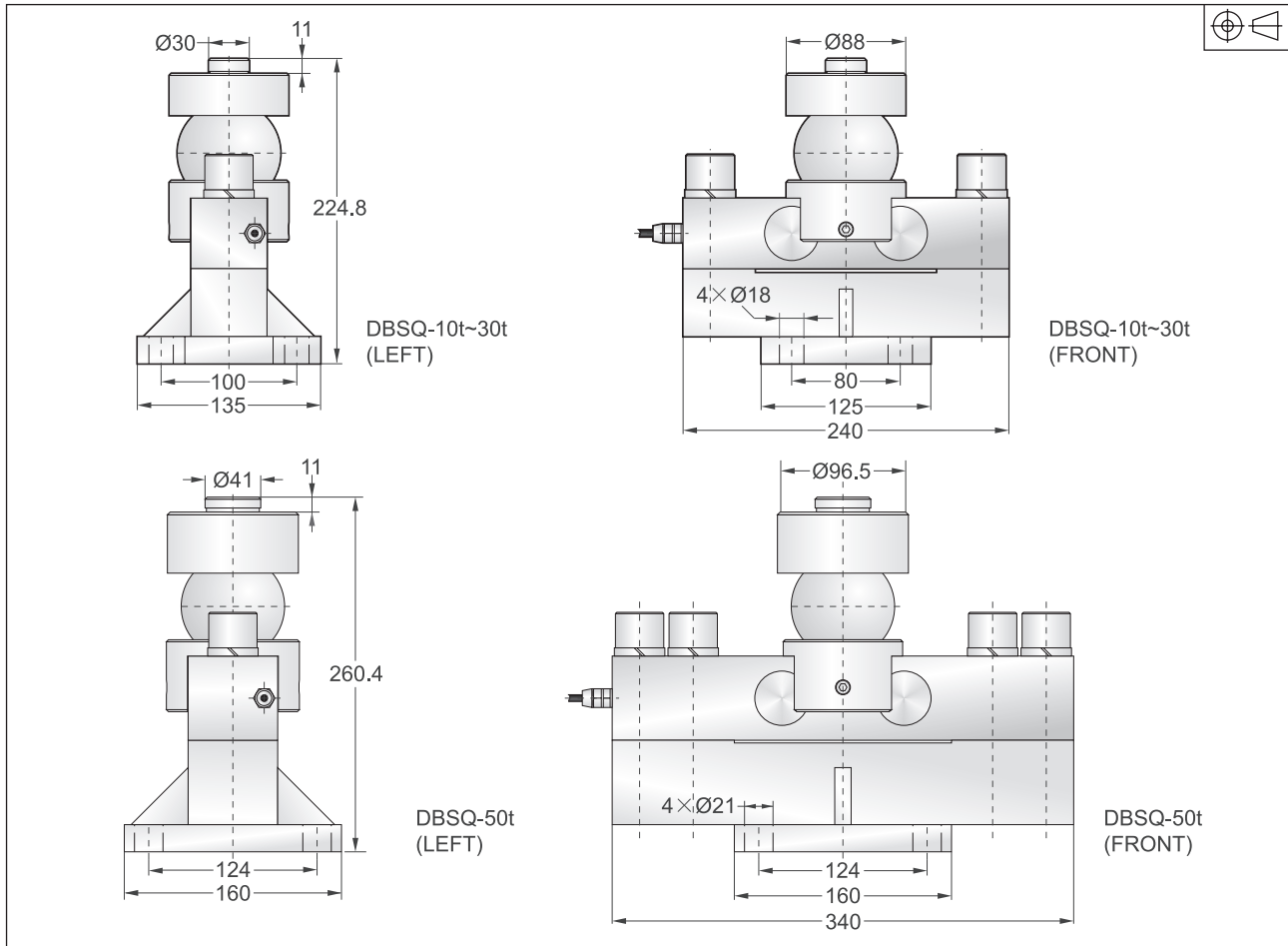


Capacities 量程

10t, 20t, 30t, 50t

Double Ended Shear Beam Series

Dimensions 尺寸



Double Ended Shear Beam

Specification 技术参数

Rated Output	额定输出	2.0mV/V \pm 0.1%
Zero Balance	零点平衡	\pm 1% of rated output
Creep after 30 minutes	蠕变	\pm 0.03% of rated output
Nonlinearity	非线性	\pm 0.03% of rated output
Hysteresis	滞后	\pm 0.03% of rated output
Repeatability	重复性	\pm 0.03% of rated output
Temp. effect on output	灵敏度温漂	\leq 0.002% of applied output/ $^{\circ}$ C
Temp. effect on zero	零点温漂	\leq 0.002% of rated output/ $^{\circ}$ C
Safe Temp. Range	可用温度范围	-10 $^{\circ}$ C to + 70 $^{\circ}$ C
Temp. Compensated	温度补偿范围	-10 $^{\circ}$ C to + 40 $^{\circ}$ C
Safe Overload	安全载荷	150%
Input Impedance	输入阻抗	775 ohm \pm 20 ohm
Output Impedance	输出阻抗	700 ohm \pm 5 ohm
Insulation Resistance	绝缘阻抗	\geq 5000 M ohm (50V DC)
Rated Excitation	推荐激励电压	10V DC/AC
Maximum Excitation	最大激励电压	15V DC/AC
Cable Length	导线长度	13m/15m
Cable Color Code	导线颜色	Red(+ E) Black(- E) Green(+ S) White(- S)