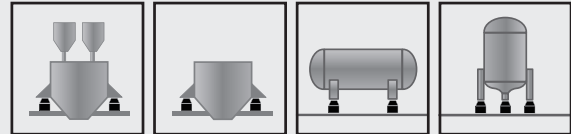
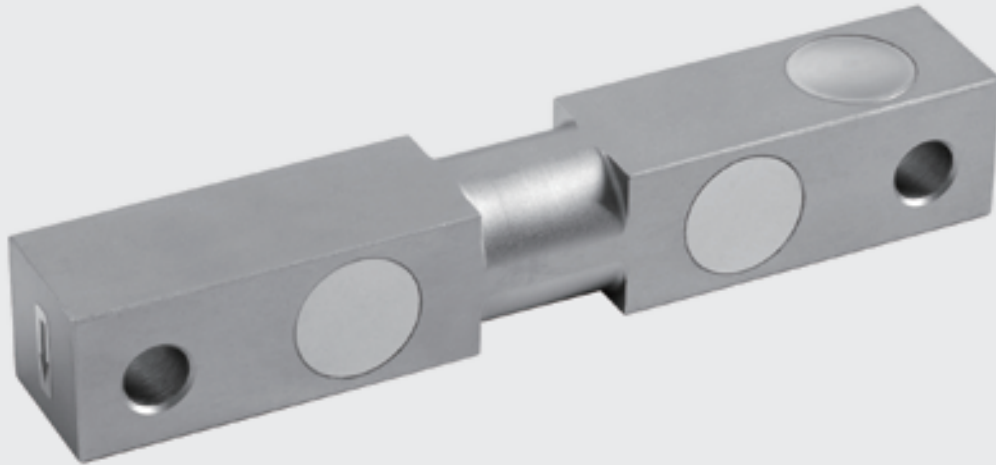
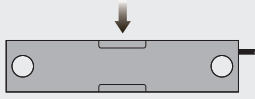


# Type DBS Load Cell



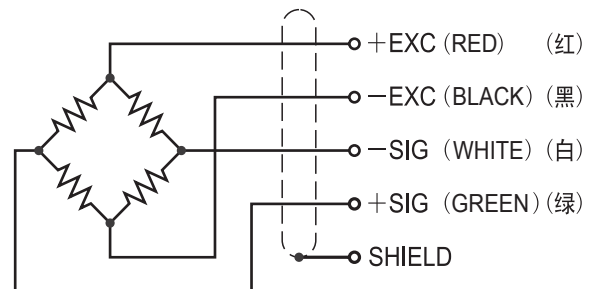
Double Ended  
Shear Beam

## Features 主要特点

- Double ended shear beam load cell
- Senior alloy steel
- High accuracy
- High stability
- Easy to install
- Protected against corrosion by nickel-plated treatment
- Suitable for warehouse & inventory scales and batching systems, etc.
- 双剪切梁式
- 优质合金钢材质
- 高精度
- 高稳定性
- 安装简便、快速
- 表层镀镍防腐处理
- 适用于仓储秤和配料秤等

## Schematic 接线方式

- |         |          |      |      |
|---------|----------|------|------|
| Red :   | + input  | 红色 : | + 激励 |
| Black : | - input  | 黑色 : | - 激励 |
| Green : | + output | 绿色 : | + 信号 |
| White : | - output | 白色 : | - 信号 |

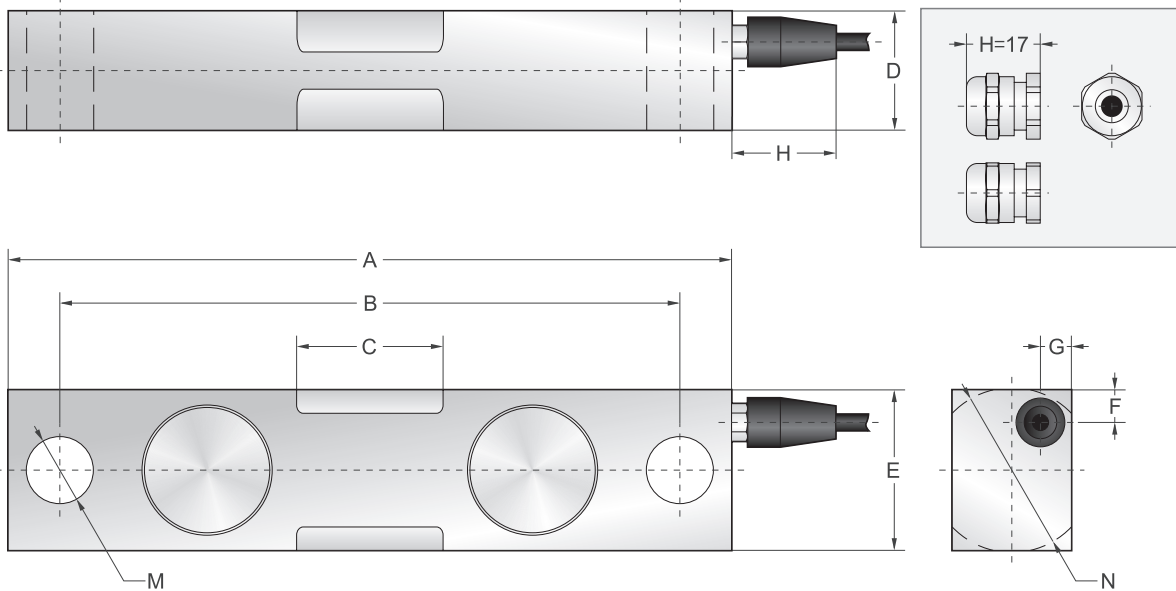


## Capacities 量程

1klb, 1.5klb, 2klb, 2.5klb, 3klb, 5klb, 10klb, 15klb,  
20klb, 25klb, 30klb, 50klb, 75klb

Double Ended Shear Beam Series

**Dimensions** 尺寸



Capacity/量程		A	B	C	D	E	F	G	H	M	N
1klb ~ 5klb	mm	190.5	158.8	30.2	31	31	6.1	7.9	32	2×Ø12.7	Ø31.5
10klb ~ 30klb	mm	222.25	190.5	45	36.6	49.3	10	9.5	32	2×Ø20.6	Ø50.6
50klb ~ 75klb	mm	342.9	292.1	86	62	74.6	13.8	21	17*	2×Ø33.3	Ø75.7

Double Ended  
Shear Beam

**Specification** 技术参数

Rated Output	额定输出	3.0mV/V ±0.1%
Zero Balance	零点平衡	±1% of rated output
Creep after 30 minutes	蠕变	±0.03% of rated output
Nonlinearity	非线性	±0.03% of rated output
Hysteresis	滞后	±0.03% of rated output
Repeatability	重复性	±0.03% of rated output
Temp. effect on output	灵敏度温漂	≤0.002% of applied output/°C
Temp. effect on zero	零点温漂	≤0.002% of rated output/°C
Safe Temp. Range	可用温度范围	-10°C to + 70°C
Temp. Compensated	温度补偿范围	-10°C to + 40°C
Safe Overload	安全载荷	150%
Input Impedance	输入阻抗	775 ohm ± 20 ohm
Output Impedance	输出阻抗	700 ohm ± 5 ohm
Insulation Resistance	绝缘阻抗	≥5000 M ohm (50V DC)
Rated Excitation	推荐激励电压	10V DC/AC
Maximum Excitation	最大激励电压	15V DC/AC
Cable Length	导线长度	6m/10m/20m
Cable Color Code	导线颜色	Red(+ E) Black(- E) Green(+ S) White(- S)