

## Stainless Steel Shear Beam Load Cell

### FEATURES

- Capacities 500–2000 kg
- Stainless steel construction
- OIML R60 approved
- Sealed to IP67
- **Optional**
  - EEx ia IIC T6 hazardous area approval



### APPLICATIONS

- Low profile platforms
- Pallet truck weighing
- Tank and silo weighing
- Food industry platforms

It has high immunity to shock or side loading, and is available in 2 mV/V sensitivity and is approved to OIML 6000 divisions.

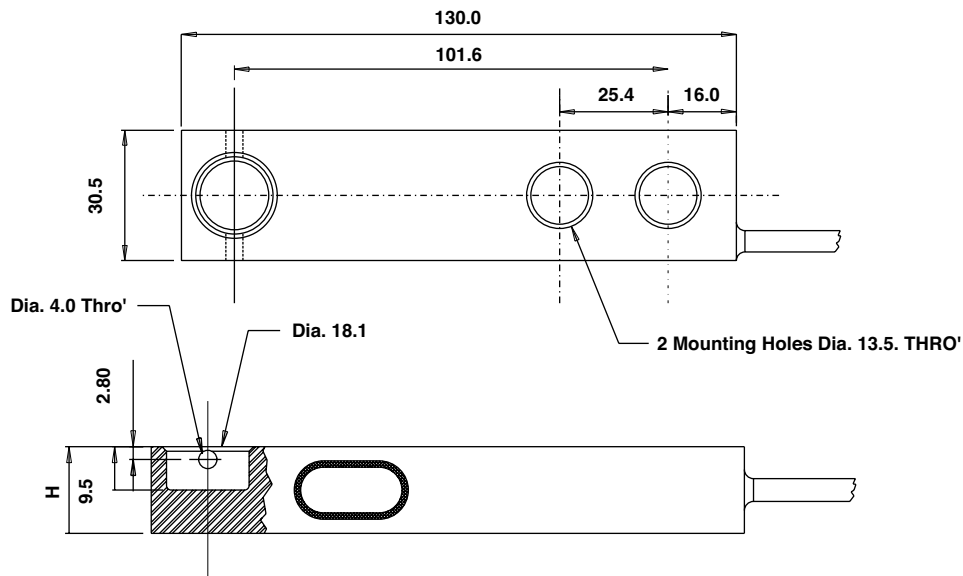
Sealed to IP67 as standard the 3520 is ideally suited for harsh industrial applications where performance and durability are paramount.

The extremely low profile makes this load cell ideal for today's modern low profile industrial platforms.

### DESCRIPTION

Model 3520 is a low profile shear beam load cell designed for high accuracy platform scales, pallet scales and process weighing applications.

### OUTLINE DIMENSIONS in millimeters



T-End loading shown. Other end options include M12 threaded.

CAPACITY (kg)	H
500	19.0 (0.748")
1000	19.0 (0.748")
2000	28.0 (1.102")

# Model 3520

Tedea-Huntleigh

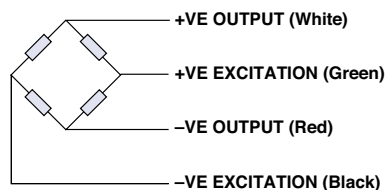
## Stainless Steel Shear Beam Load Cell

SPECIFICATIONS			
PARAMETER	VALUE		UNIT
Rated capacity – R.C. ( $E_{max}$ )	500, 1000, 2000		kg
OIML accuracy class	Non-Approved	C3 <sup>(1)</sup>	
Maximum no. of intervals (n)	1000	3000	
$Y = E_{max}/V_{min}$	2000	6000	Maximum available 15000
Rated output – R.O	2.0		mV/V
Rated output tolerance	0.1		±% of rated output
Zero balance	2		±% of rated output
Zero return, 30 min.	0.050	0.017	±% of applied load
Total error	0.0500	0.0200	±% of rated output
Temperature effect on zero	0.007	0.0023	±% of rated output/°C
Temperature effect on output	0.0030	0.0010	±% of applied load/°C
Temperature range, compensated	-10 to +40		°C
Temperature range, safe	-30 to +90		°C
Maximum safe central overload	150		% of R.C.
Ultimate central overload	300		% of R.C.
Excitation, recommended	10		VDC or VAC RMS
Excitation, maximum	15		VDC or VAC RMS
Input impedance	380±15		Ω
Output impedance	350±3		Ω
Insulation resistance	>2000		MΩ
Cable length	3		m
Cable type	4-wire, braided, polyurethane, floating screen		Standard
Construction	Stainless steel		
Environmental protection	IP67		
Recommended torque	136.0		N*m

<sup>(1)</sup> 50% utilization

All specifications subject to change without notice.

### WIRING SCHEMATIC DIAGRAM



## Disclaimer

ALL PRODUCTS, PRODUCT SPECIFICATIONS AND DATA ARE SUBJECT TO CHANGE WITHOUT NOTICE.

Vishay Precision Group, Inc., its affiliates, agents, and employees, and all persons acting on its or their behalf (collectively, "Vishay Precision Group"), disclaim any and all liability for any errors, inaccuracies or incompleteness contained herein or in any other disclosure relating to any product.

The product specifications do not expand or otherwise modify Vishay Precision Group's terms and conditions of purchase, including but not limited to, the warranty expressed therein.

Vishay Precision Group makes no warranty, representation or guarantee other than as set forth in the terms and conditions of purchase. **To the maximum extent permitted by applicable law, Vishay Precision Group disclaims (i) any and all liability arising out of the application or use of any product, (ii) any and all liability, including without limitation special, consequential or incidental damages, and (iii) any and all implied warranties, including warranties of fitness for particular purpose, non-infringement and merchantability.**

Information provided in datasheets and/or specifications may vary from actual results in different applications and performance may vary over time. Statements regarding the suitability of products for certain types of applications are based on Vishay Precision Group's knowledge of typical requirements that are often placed on Vishay Precision Group products. It is the customer's responsibility to validate that a particular product with the properties described in the product specification is suitable for use in a particular application.

No license, express, implied, or otherwise, to any intellectual property rights is granted by this document, or by any conduct of Vishay Precision Group.

The products shown herein are not designed for use in life-saving or life-sustaining applications unless otherwise expressly indicated. Customers using or selling Vishay Precision Group products not expressly indicated for use in such applications do so entirely at their own risk and agree to fully indemnify Vishay Precision Group for any damages arising or resulting from such use or sale. Please contact authorized Vishay Precision Group personnel to obtain written terms and conditions regarding products designed for such applications.

Product names and markings noted herein may be trademarks of their respective owners.

---