

# PW16A...

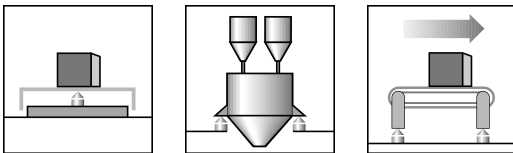
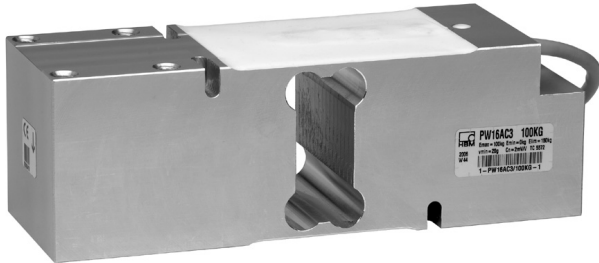
## Single point load cells

### Special features

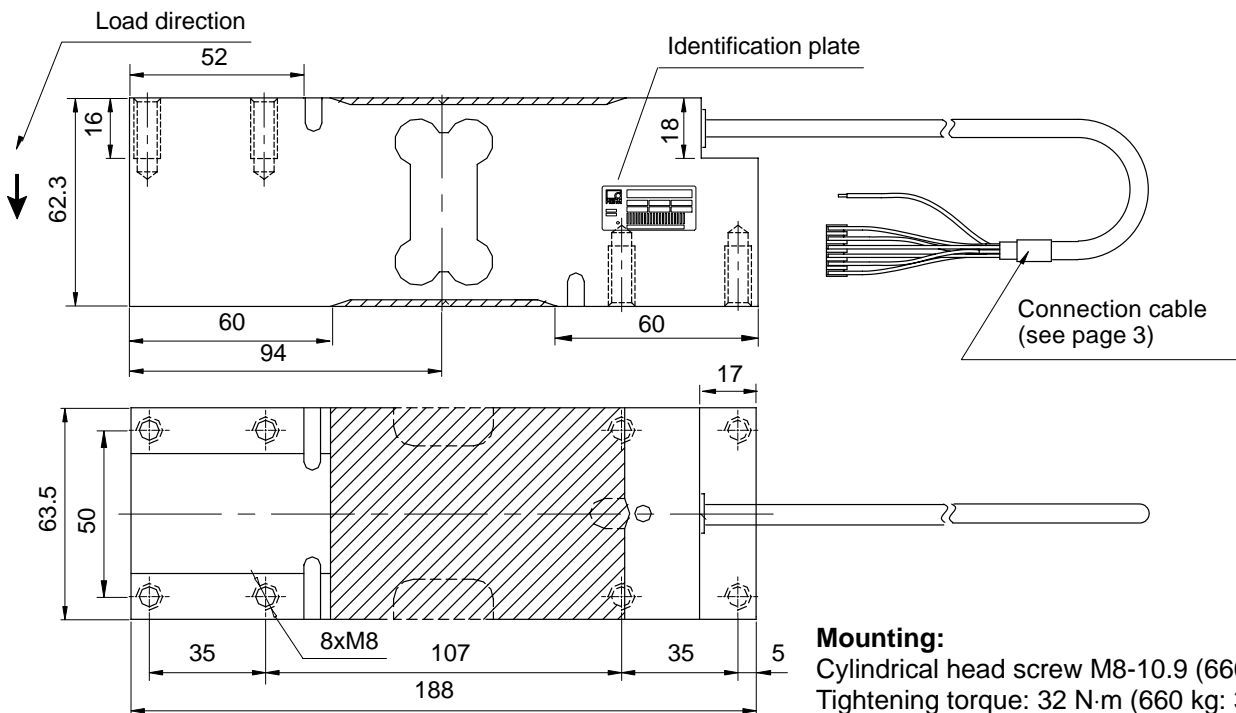
- OIML-R60 approval
- Max. Capacities: 30 kg...660 kg
- Off center load compensated (OIML R76)
- Meets EMC standards (EN 45 501)
- 6-wire circuit

### Optional:

- Reduced minimum LC verification interval ( $v_{min}$ ) for multi range applications
- Explosion proof versions
- different cable lengths
- Aligned output, suitable for connection in parallel



### Dimensions (in mm; 1 mm = 0.03937 inches)



## Specifications

Type	PW16A...										
Accuracy class <sup>1)</sup>	C3, C3MR										
Number of load cell intervals (n <sub>LC</sub> )	3000										
Max. capacity (E <sub>max</sub> )*	kg	30	50	75	100	150	200	250	300	500	660
Minimum LC verification interval (v <sub>min</sub> ) Accuracy class C3	g	5	10	10	20	20	50	50	50	100	100
Temperature effect on zero balance (TK <sub>0</sub> ) Accuracy class C3	% of C <sub>n</sub> / 10 K	± 0.0233	± 0.0280	± 0.0187	± 0.0280	± 0.0187	± 0.0350	± 0.0280	± 0.0233	± 0.0280	± 0.0212
Minimum LC verification interval (v <sub>min</sub> ) Accuracy class C3MR	g	2	5	5	10	10	20	20	20	50	50
Temperature effect on zero balance (TK <sub>0</sub> ) Accuracy class C3MR	% of C <sub>n</sub> / 10 K	± 0.0093	± 0.0140	± 0.0093	± 0.0140	± 0.0093	± 0.0140	± 0.0112	± 0.0093	± 0.0140	± 0.0106
Max. platform size	mm	600 x 600									
Sensitivity (C <sub>n</sub> )	mV/V	2.0 ± 0.2									
Zero balance		0 ± 0.1									
Temperature effect on sensitivity (TK <sub>C</sub> ) <sup>2)</sup> Temperature range +20 ... +40 °C [+68 ... +104 °F] -10 ... +20 °C [+13 ... +68 °F]	% of C <sub>n</sub> / 10 K	± 0.0175 ± 0.0117									
Hysteresis error (d <sub>hy</sub> ) <sup>2)</sup>	% of C <sub>n</sub>	± 0.0166									
Non-linearity (d <sub>lin</sub> ) <sup>2)</sup>		± 0.0166									
Minimum dead load output return (DR)		± 0.0166									
Off center load error <sup>3)</sup>		± 0.0233									
Input resistance (R <sub>LC</sub> )	Ω	300 ... 500									
Output resistance (R <sub>0</sub> )		300 ... 500									
Reference excitation voltage (U <sub>ref</sub> )	V	5									
Nominal range of excitation voltage (B <sub>U</sub> )		0 ... 12									
Max. excitation voltage		15									
Insulation resistance (R <sub>is</sub> ) at 100 V <sub>DC</sub>		> 2									
Nominal temperature range (B <sub>T</sub> )	°C [°F]	-10 ... +40 [+14 ... +104]									
Service temperature range (B <sub>tu</sub> )		-10 ... +50 [+14 ... +122]									
Storage temperature range (B <sub>tl</sub> )		-25 ... +70 [-13 ... +158]									
Safe load limit (E <sub>L</sub> )	% of E <sub>max</sub>	150									
Lateral limit force (E <sub>lq</sub> ), static		300									
Breaking load (E <sub>d</sub> )		300									
Deflection at E <sub>max</sub> (s <sub>nom</sub> ), approx.	mm	< 0.5									
Weight (G), approx.	kg	1.8									
Protection class according to EN 60 529 (IEC 529)		IP67									
Material: Measuring element Coating Cable sheath		Aluminum Silicone rubber PVC									

\* For max. capacities 30kg, 50kg: OIML certificate in preparation

1) In accordance to OIML-R60 with P<sub>LC</sub> = 0.7

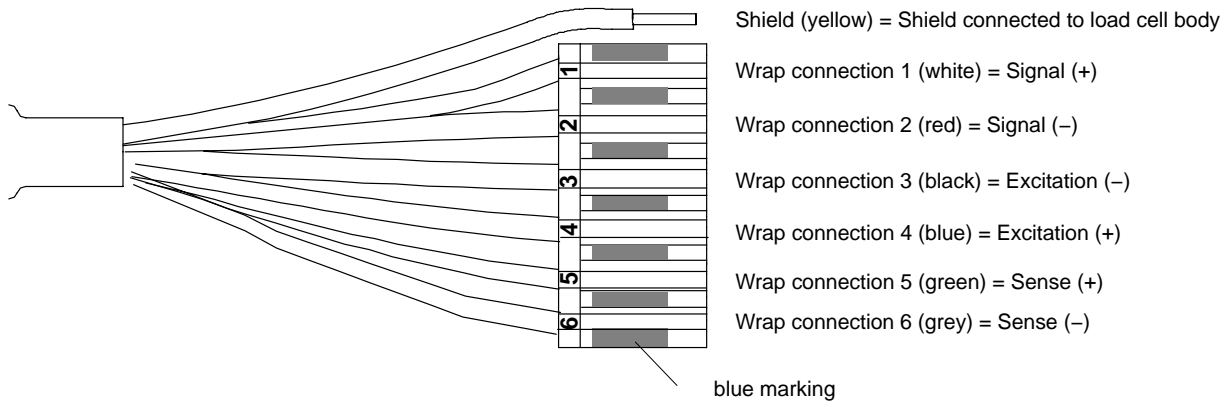
2) The sum of data for Non-linearity, Hysteresis error and TC Span meets the requirements of OIML R60.

3) Eccentric error according to OIML R76 class.

## Wiring code

Connection with 6 wire cable (selectable cable length: 1.5 m; 3 m; 6 m, 12 m)

Detailed description of the Pancon plug (CE100F26-6), 6-pole




### Ordering codes

#### PW16A... (Aluminum)

Type	PW16A	
Accuracy	C3 (OIML)	
Note	Cable length 3m (6 wire)	
Capacity	Order no.	
30kg	1-PW16AC3/30KG-1	
50kg	1-PW16AC3/50KG-1	
75kg	1-PW16AC3/75KG-1	
100kg	1-PW16AC3/100KG-1	
150kg	1-PW16AC3/150KG-1	
200kg	1-PW16AC3/200KG-1	
250kg	1-PW16AC3/250KG-1	
300kg	1-PW16AC3/300KG-1	
500kg	1-PW16AC3/500KG-1	
660kg	1-PW16AC3/660KG-1	

#### K-PW16A-... (Aluminum), optional versions [ !!! ]

Order no.		
<b>K-PW16A</b>		
Code	Option 1: Mechanical version	
N	Standard	
Code	Option 2: Accuracy	
C3	C3 (OIML)	
MR	C3-MR (OIML)	
Code	Option 3: Capacity	
30	30kg	
50	50kg	
75	75kg	
100	100kg	
150	150kg	
200	200kg	
250	250kg	
300	300kg	
500	500kg	
660	660kg	
Code	Option 4: Ex protection	
N	non Ex	
1+21	ATEX Zone 1 + 21 [ only with Option 6 = N ]	
2+22	ATEX Zone 2 + 22 (non-conductive dust) [ only with Option 6 = N ]	
Code	Option 5: Cable length	
1.5	1.5m	
3	3m	
6	6m	
12	12m	
Code	Option 6: Miscellaneous	
N	without	
A	2mV/V ±0.1% / 410 Ohms ±0.3 Ohms [ only with Option 4 = N ] (aligned output, suitable for connection in parallel)	
K-PW16A - [N] - [ ] - [ ] - [ ] - [ ] - [ ] - [ ]		

[ !!! ]: Not all codes can be combined with each other. Please take heed of the terms in the square brackets!