



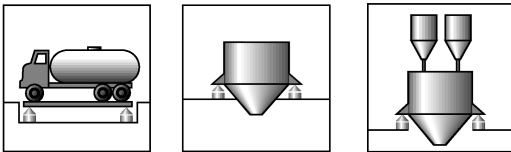
C16AD1/100t C16A/200t

Self-restoring
rockerpin load cell



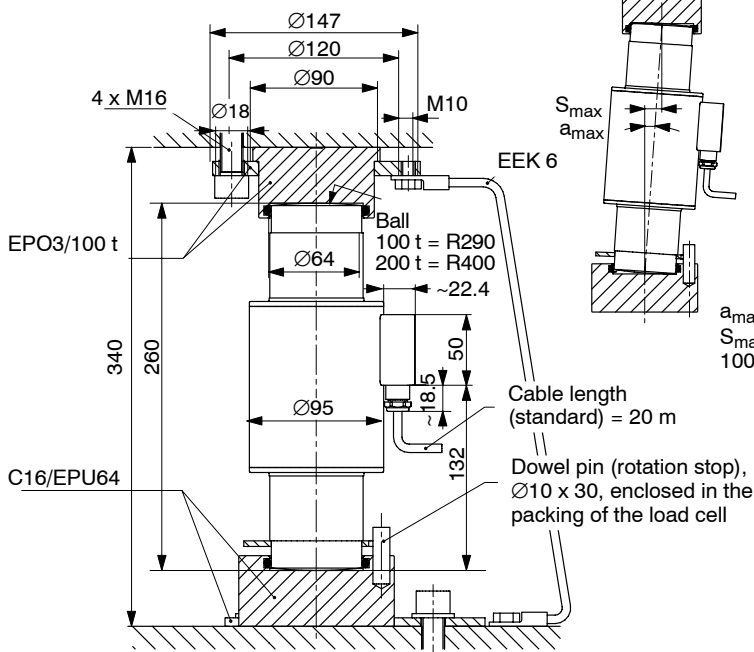
Special features

- Self-restoring function
- Max. capacities: 100 t + 200 t
- Simple to install
- Stainless steel materials, laser welded, IP68
- Optimized for parallel connection by corner pre-adjustment
- Meets EMC / ESD requirements according to EN 45 501
- Explosion proof version acc. to ATEX 95 optional

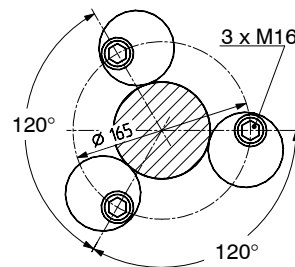


Dimensions and Accessories (in mm; 1 mm= 0.03937 inches)

C16A../100 t / 200 t+ EPO3/100 t + C16/EPU64

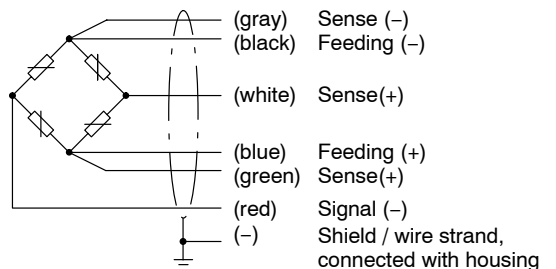


Top view with C16/EPU64



a_{max} (max. permissible skewing) 100 t = 4°; 200 t = 2°
 S_{max} (max. permissible lateral displacement of loadintroduction)
 100 t = 18 mm°; 200 t = 9 mm

Wiring code (6-wire circuit):



Specifications

Type / Maximum capacity (E_{max})		C16A D1 / 100 t	C16A / 200 t
Accuracy class according to OIML R60		D1 (0.0330 %)	0.1 %
Maximum number of load cell intervals (n_{LC})		1000 (10000 NTEP III LM)	-
Minimum load cell verification interval (v_{min})	% of E_{max}	0.0200 (0.0068 NTEP)	-
Sensitivity (C_n)	mV/V	2	
Sensitivity tolerance ¹⁾	%	±0.5 ¹⁾	
Temperature effect on sensitivity (TK_C)	% of $C_n / 10 K$	±0.0250 ²⁾	±0.0500
Temperature effect on zero signal (TK_0)		±0.0285	±0.0500
Hysteresis error (d_{hy})	% of C_n	±0.0330 ²⁾	±0.0500
Non-Linearity (d_{lin})		±0.0300 ²⁾	±0.1000
Creep (d_{cr}), 30 min.		±0.0330	±0.0500
Input resistance (R_{LC}) (black-blue)	Ω	700 ±20	
Output resistance (R_0) ¹⁾ (red-white)		706 ±3.5 ¹⁾	
Reference excitation voltage (U_{ref})	V	5	
Nominal range of excitation voltage (B_U)		0.5 ... 12	
Insulation resistance (R_{is})	G Ω	> 5	
Nominal range of ambient temperature (B_T)	°C [°F]	-10 ... +40 [15...105]	
Service temperature range (B_{tu})		-30 ... +70 [-20...160]	
Storage temperature range (B_{tl})		-50 ... +85 [-60...185]	
Limit load (E_L)	% of E_{max}	150	
Breaking load (E_d)		> 350	> 200
Permissible dynamic load (F_{srel}) (vibration amplitude according to DIN 50100)		70	
Deflection at E_{max} (s_{nom}), approx.	mm	1.57	2.15
Weight (G) with cable, approx.	kg	8	9
Protection class according to EN60529 (IEC529)		IP68 (test conditions 100 h at 1 m water column) IP69 K (water at high pressure, steam jet cleaning)	
Material: Measuring body + housing Cable fitting Sealing Cable-sheath		stainless steel nickel-plated brass silicone thermoplastic elastomer	

¹⁾ Throughout corner pre-adjustment the Sensitivity and Output resistance are coordinated, so that the indicated value of the scale is within permissible limits when off-center load is applied.

²⁾ The data for Non-Linearity (d_{lin}), Hysteresis error (d_{hy}) and Temperature effect on sensitivity (TK_C) are typical values. The sum of these data meets the requirements for $p_{LC} = 0.7$ according to OIML R60 respectively NTEP.

Options:

- **Lightning protection** (not possible with ATEX)
 - **Explosion-proof versions according to ATEX 95:**
 - II 2 G EEx ia IIC T4 resp. T6 (Zone 1)^{*)}
 - II 3 G EEx nA II T6 (Zone 2)
 - II 2 D IP68 T80°C (Zone 21)^{*)}
 - II 3 D IP68 T80°C (Zone 22 for non-conductive dust)
 - II 2 G EExd IIC T6 (Zone 1)^{*)} see separate datasheet
- ^{*)} with EC-type examination certificate

- **Cable 40 m long**

Accessories (to be ordered separately):

- **EPO3/100t** Thrust piece for above, incl. spanner
- **C16/EPU64** Thrust piece for below, incl. 3 excentric washers
- **EEK6** Earthing cable, 600 mm long