

# PW10A...

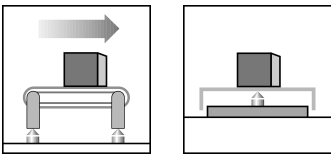
## Single point load cells

### Special features

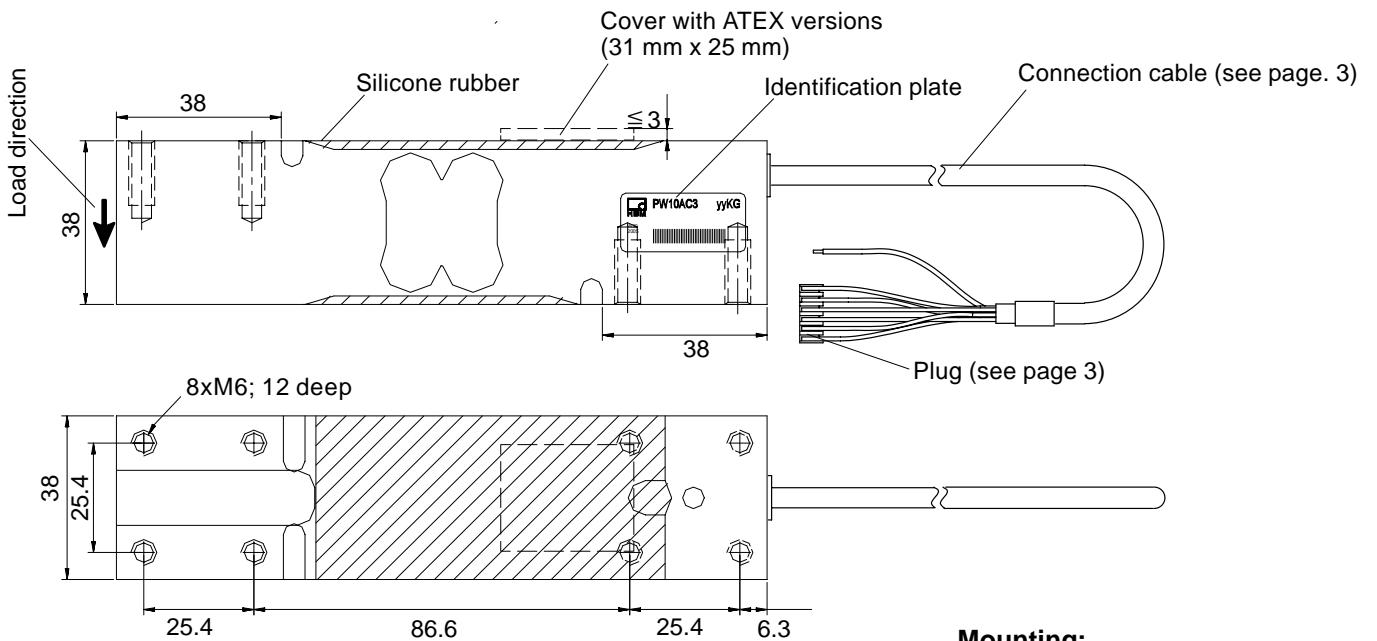
- OIML-R60 approval
- Max. capacities: 50 kg ... 300 kg
- Off center load compensated (OIML R76)
- Meets EMC standards (EN 45 501)
- Shielded connection cable
- 6-wire circuit

### Optional:

- Reduced minimum LC verification interval ( $v_{min}$ ) for multi range applications
- Explosion proof versions
- different cable lengths
- Aligned output, suitable for connection in parallel



### Dimensions (in mm; 1 mm = 0.03937 inches)



### Mounting:

Socket head cap screws M6-10.9  
Tightening torque: 14 N·m

## Specifications

Type	PW10A...						
Accuracy class <sup>1)</sup>	C3, C3MR						
Number of load cell intervals (n <sub>LC</sub> )	3000						
Maximum capacity (E <sub>max</sub> )	kg	50	100	150	200	250	300
Minimum LC verification interval (v <sub>min</sub> ), (Accuracy class C3)	g	10	20	20	50	50	50
Temperature effect on zero balance (TK <sub>0</sub> ), (Accuracy class C3)	% of C <sub>n</sub> / 10 K	±0.0280	±0.0280	±0.0186	±0.0350	±0.0280	±0.0233
Minimum LC verification interval (v <sub>min</sub> ), (Accuracy class C3MR)	g	5	10	10	20	20	20
Temperature effect on zero balance (TK <sub>0</sub> ), (Accuracy class C3MR)	% of C <sub>n</sub> / 10 K	±0.0140	±0.0140	±0.0093	±0.0140	±0.0112	±0.0093
Max. platform size	mm	600 x 500					
Sensitivity (C <sub>n</sub> ) <sup>2)</sup>	mV/V	2.0 ± 0.2 (Option 6: A = 2 mV/V ± 0.1 %)					
Zero balance		0 ± 0.1					
Temperature effect on sensitivity (TK <sub>C</sub> ) <sup>3)</sup> Temperature range: +20 ... +40 °C [+70 ... +105 °F] -10 ... +20 °C [+15 ... +70 °F]	% of C <sub>n</sub> / 10 K	±0.0175 ±0.0117					
Hysteresis error (d <sub>hy</sub> ) <sup>3)</sup>	% of C <sub>n</sub>	±0.0166					
Non-linearity (d <sub>lin</sub> ) <sup>3)</sup>		±0.0166					
Minimum dead load output return (DR)		±0.0166					
Off center load error <sup>4)</sup>		±0.0233					
Input resistance (R <sub>LC</sub> )	Ω	300 ... 500					
Output resistance (R <sub>0</sub> )		330 ... 430 (Option 6: A = 410 Ω ± 0.2 Ω)					
Reference excitation voltage (U <sub>ref</sub> )	V	5					
Nominal range of excitation voltage (B <sub>U</sub> )		0 ... 12					
Max. excitation voltage		15					
Insulation resistance (R <sub>is</sub> ) at 100 V <sub>DC</sub>		> 2					
Nominal temperature range (B <sub>T</sub> )	°C [°F]	-10 ... +40 [+14 ... +104]					
Service temperature range (B <sub>tu</sub> )		-10 ... +50 [+14 ... +122]					
Storage temperature range (B <sub>l</sub> )		-25 ... +70 [-13 ... +158]					
Safe load limit (E <sub>L</sub> ) at max. eccentricity	% of E <sub>max</sub> mm	150 150					
Lateral load limit (E <sub>lq</sub> ), static	%	300					
Breaking load (E <sub>d</sub> )	of E <sub>max</sub>	300					
Deflection at E <sub>max</sub> (s <sub>nom</sub> ), approx.		<0,5					
Weight (G), approx.		0,6					
Protection class accord. to EN 60 529 (IEC 529)		IP67					
Material: Measuring element Coating Cable sheath		Aluminum Silicone rubber PVC					

1) In accordance to OIML-R60 with P<sub>LC</sub> = 0.7

2) Max. eccentric load according to OIML R76

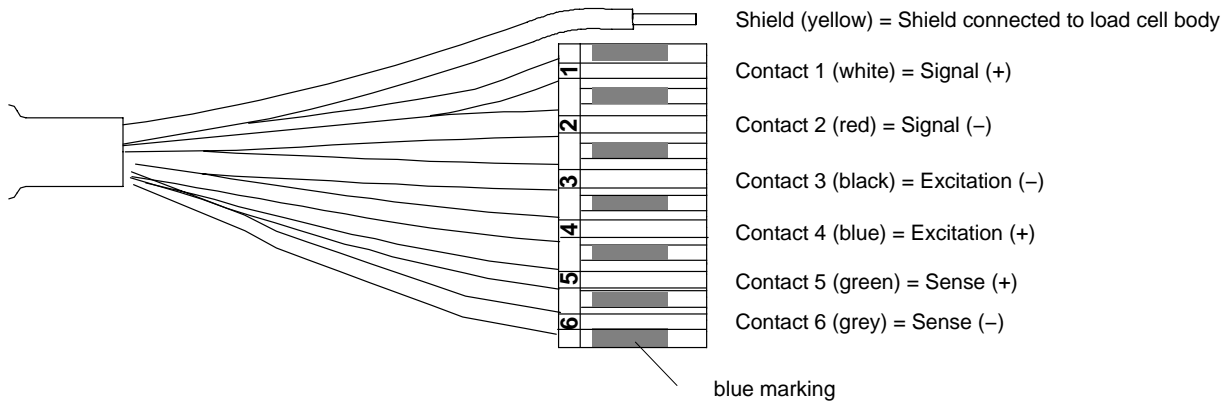
3) The sum of data for Non-linearity, Hysteresis error and TC Span meets the requirements of OIML R60.

4) Eccentric error according to OIML R76 class.

## Wiring code

Connection with 6 wire cable (selectable cable length: 1.5 m; 3 m; 6 m, 12 m)

Detailed description of the Pancon plug (CE100F26-6), 6-pole





### Ordering codes

#### PW10A... (Aluminum)

Type	PW10A	
Accuracy	C3 (OIML)	
Note	Cable length 3m (6 wire)	
Capacity	Order no.	
50kg	1-PW10AC3/50KG-1	
100kg	1-PW10AC3/100KG-1	
150kg	1-PW10AC3/150KG-1	
200kg	1-PW10AC3/200KG-1	
250kg	1-PW10AC3/250KG-1	
300kg	1-PW10AC3/300KG-1	

#### K-PW10A-... (Aluminum), optional versions [ !!! ]

Order no.		
<b>K-PW10A</b>		
Code	Option 1: Mechanical version	
<b>N</b>	-	
Code	Option 2: Accuracy	
<b>C3</b>	C3 (OIML)	
<b>MR</b>	C3-MR (OIML)	
Code	Option 3: Capacity	
<b>50</b>	50kg	
<b>100</b>	100kg	
<b>150</b>	150kg	
<b>200</b>	200kg	
<b>250</b>	250kg	
<b>300</b>	300kg	
Code	Option 4: Ex protection	
<b>N</b>	non Ex	
<b>1+21</b>	ATEX Zone 1 + 21 [ only with Option 6 = N ]	
<b>2+22</b>	ATEX Zone 2 + 22 (non-conductive dust) [ only with Option 6 = N ]	
Code	Option 5: Cable length	
<b>1.5</b>	1.5m	
<b>3</b>	3m	
<b>6</b>	6m	
<b>12</b>	12m	
Code	Option 6: Miscellaneous	
<b>N</b>	without	
<b>A</b>	2mV/V ±0.1% / 359 Ohms ±0.3 Ohms [ only with Option 4 = N ] (aligned output, suitable for connection in parallel)	
K-PW10A - <b>N</b> - <input type="checkbox"/> - <input type="checkbox"/> - <input type="checkbox"/> - <input type="checkbox"/> - <input type="checkbox"/> - <input type="checkbox"/> - <input type="checkbox"/>		

[ !!! ]: Not all codes can be combined with each other. Please take heed of the terms in the square brackets!