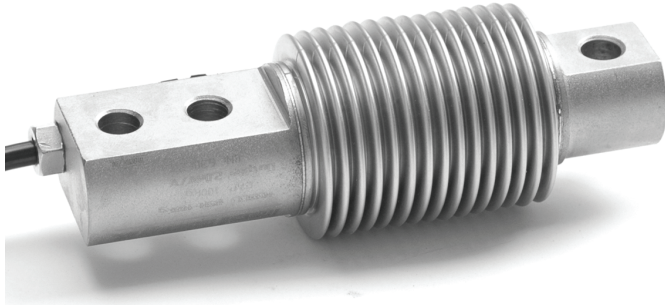
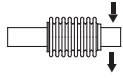


BSH

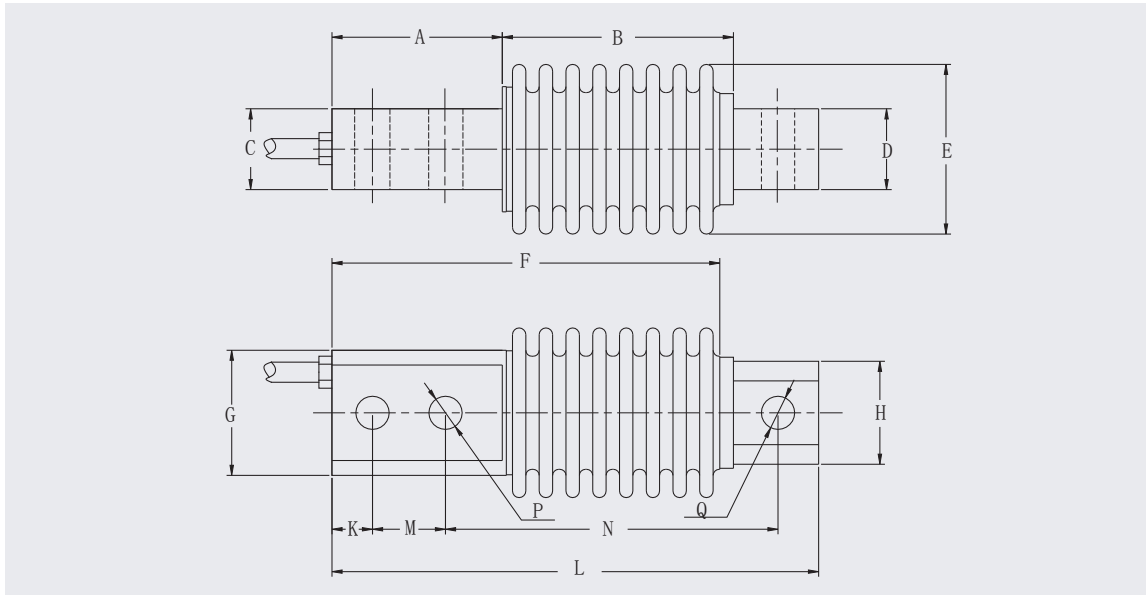


Features 特点

- Beam Load Cell
- Senior Stainless Steel
- All sealed by welding
- Easy to Install, Stable & Reliable
- Fit for Tank-Packing Scales, Belt Scales and Batching Systems, etc.
- 波纹管传感器
- 优质不锈钢材质
- 全密封焊接
- 安装简便、快速，稳定可靠
- 适用于罐装秤、皮带秤和配料秤等

Capacities 量程

10kg, 20kg, 50kg, 100kg, 150kg,
200kg, 300kg



Dimensions 尺寸

Capacity/ 量程		A	B	C	D	E	F	G
10kg -300kg	mm	42.00	57.00	20.00	20.00	Φ42.00	95.65	Φ31.00
		H	K	L	M	N	P	Q
	mm	Φ25.50	10.00	120.00	18.00	82.00	2 x Φ8.20	Φ8.20

Specification 技术参数

Rated Output/额定输出	2.0mV/V \pm 0.1%
Zero Balance/零点平衡	\pm 0.1% of rated output
Creep after 30 minutes/蠕变	\pm 0.03% of rated output
Nonlinearity/非线性	\pm 0.03% of rated output
Hysteresis/滞后	\pm 0.03% of rated output
Repeatability/重复性	\pm 0.03% of rated output
Temp. effect on output/灵敏度温漂	\leq 0.006% of applied output/ $^{\circ}$ C
Temp. effect on zero/零点温漂	\leq 0.015% of rated output/ $^{\circ}$ C
Safe Temp. Range/可用温度范围	-16 $^{\circ}$ C to + 70 $^{\circ}$ C
Temp. Compensated/温度补偿范围	-10 $^{\circ}$ C to + 50 $^{\circ}$ C
Safe Overload/安全载荷	150%
Input Impedance/输入阻抗	380 ohm \pm 20 ohm
Output Impedance/输出阻抗	350 ohm \pm 3 ohm
Insulation Resistance/绝缘阻抗	\geq 5000 M ohm (50V DC)
Rated Excitation/推荐激励电压	10V DC/AC
Maximum Excitation/最大激励电压	15V DC/AC
Cable Length/导线长度	3m
Cable Color Code/导线颜色	Red(+E) Black(-E) Green(+S) White(-S)

Schematic 接线方式

Red: + input
 Black: - input
 Green: + output
 White: - output

红色: + 激励
 黑色: - 激励
 绿色: + 信号
 白色: - 信号

